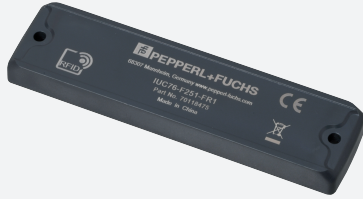


RFID Transponder

IUC76-F251-FR1 10pcs

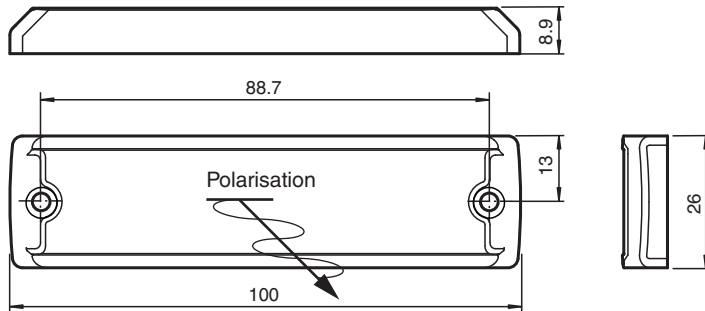


- Operating frequency 865 ... 868 MHz
- Complies with EPC Gen2 (ISO/IEC 18000-63)
- For general purpose applications

Data carrier for standard applications



Dimensions



Technical Data

General specifications	
Operating frequency	865 ... 868 MHz
Polarization	linear
Memory	
Chip Type	Higgs-3 (Alien)
Memory Bank 00 (Reserved)	64 Bit
Memory Bank 01 (EPC/UII)	96 ... 480 Bit
Memory Bank 10 (TID)	96 Bit
Memory Bank 11 (User memory)	512 Bit
Read cycles	unlimited
Write cycles	> 100000
Data retention period	50 years @ 77 °C (170.6 °F)
Directive conformity	
Radio equipment	
Directive 2014/53/EU	EN 302208
RoHS	
Directive 2011/65/EU (RoHS)	IEC/EN 63000

Release date: 2022-11-28 Date of issue: 2022-11-28 Filename: 70118475_eng.pdf

Refer to "General Notes Relating to Pepperl+Fuchs Product Information".

Technical Data

Standard conformity		
Degree of protection		EN 60529
RFID		ISO/IEC 18000-63
Ambient conditions		
Ambient temperature		-40 ... 85 °C (-40 ... 185 °F)
Storage temperature		-40 ... 85 °C (-40 ... 185 °F)
Shock and impact resistance		3 ft (1m) to concrete up to 200 cycles
Mechanical specifications		
Housing length		100 mm
Housing width		26 mm
Housing height		8.9 mm
Degree of protection		IP68
Material		
Housing		Polymer
Installation		
On metal		yes
In air		yes
Mass		17.8 g
Construction type		Rectangular type
Note		Packaging unit, 10-piece

Mounting

High temperatures will cause the housing to expand.
 If the housing is assembled under mechanical stress, the resulting pressure may damage the tag.
 Install the tag loosely to allow for expansion due to high temperatures.