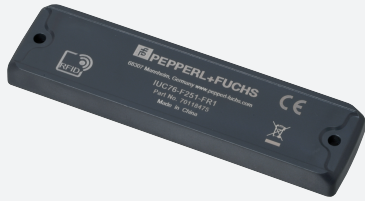


RFID Transponder

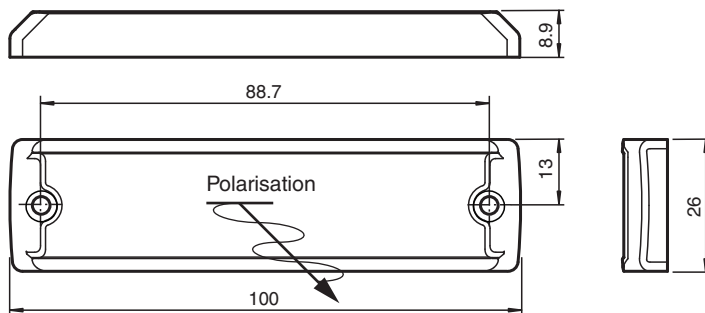
IUC76-F251-FR2 10pcs



- Operating frequency 902 ... 928 MHz
- Complies with EPC Gen2 (ISO/IEC 18000-63)
- For general purpose applications

Data carrier for standard applications

Dimensions



Technical Data

General specifications

Operating frequency	902 ... 928 MHz
Polarization	linear

Memory

Chip Type	Higgs-3 (Alien)
Memory Bank 00 (Reserved)	64 Bit
Memory Bank 01 (EPC/UII)	96 ... 480 Bit
Memory Bank 10 (TID)	96 Bit
Memory Bank 11 (User memory)	512 Bit
Read cycles	unlimited
Write cycles	> 100000
Data retention period	50 years @ 77 °C (170.6 °F)

Standard conformity

Degree of protection	EN 60529
RFID	ISO/IEC 18000-63

Ambient conditions

Ambient temperature	-40 ... 85 °C (-40 ... 185 °F)
---------------------	--------------------------------

Release date: 2021-11-08 Date of issue: 2021-11-08 Filename: 70118476_eng.pdf

Refer to "General Notes Relating to Pepperl+Fuchs Product Information".

Technical Data

Storage temperature	-40 ... 85 °C (-40 ... 185 °F)
Shock and impact resistance	3 ft (1m) to concrete up to 200 cycles
Mechanical specifications	
Housing length	100 mm
Housing width	26 mm
Housing height	8.9 mm
Degree of protection	IP68
Material	
Housing	Polymer
Installation	
On metal	yes
In air	yes
Mass	17.8 g
Construction type	Rectangular type
Note	Packaging unit, 10-piece

Mounting

High temperatures will cause the housing to expand.
If the housing is assembled under mechanical stress, the resulting pressure may damage the tag.
Install the tag loosely to allow for expansion due to high temperatures.