

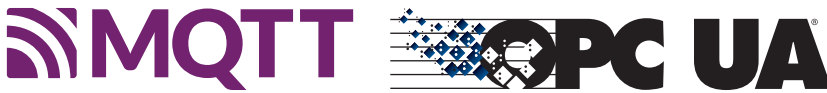


IO-Link master (PNIO/MOD)

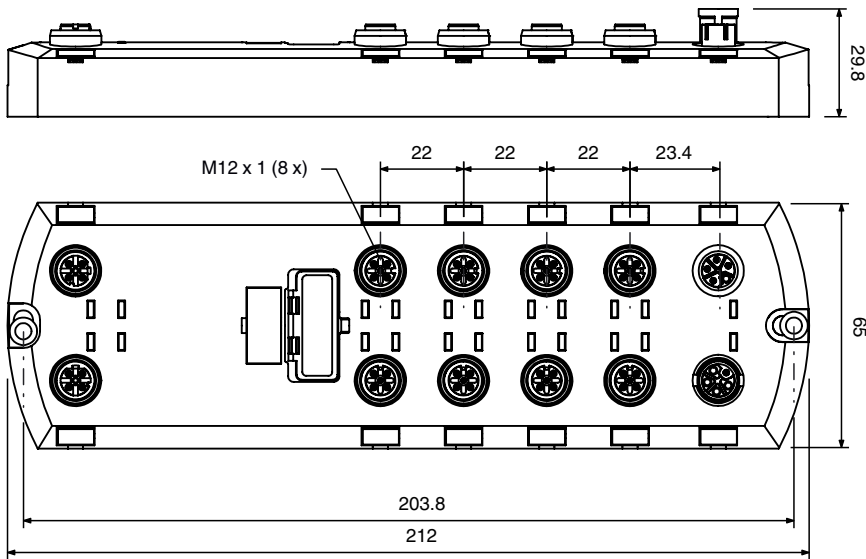
ICE3-8IOL1-G65L-V1D

- PROFINET IO, Modbus/TCP, OPC UA, and MQTT support
- Provides 4 Class A and 4 Class B IO-Link ports
- Web-based configuration of module and IO-Link devices
- Integrated IODD storage for more than 100 IODDs
- Downloadable module configuration
- M12 L-coded power connector

PROFINET and Modbus IO-Link master with 4 x IO-Link Class A and 4 x IO-Link Class B ports



Dimensions



Technical Data

General specifications			
UL File Number	E360395		
Indicators/operating means			
LED indication	see manual		
Rotary switch	Setting the IP address		
Electrical specifications			
Rated operating voltage	U _e	20 ... 30 V DC	
General information	M12, L-coded		
Protection class	Class 2, , PELV or Limited Voltage power supply required		
Nominal voltage	24 V DC		
Current consumption	typ. 120 mA		

Release date: 2024-05-08 Date of issue: 2024-05-08 Filename: 70118645_eng.pdf

Refer to "General Notes Relating to Pepperl+Fuchs Product Information".

Pepperl+Fuchs Group
www.pepperl-fuchs.com

USA: +1 330 486 0001
fa-info@us.pepperl-fuchs.com

Germany: +49 621 776 1111
fa-info@de.pepperl-fuchs.com

Singapore: +65 6779 9091
fa-info@sg.pepperl-fuchs.com

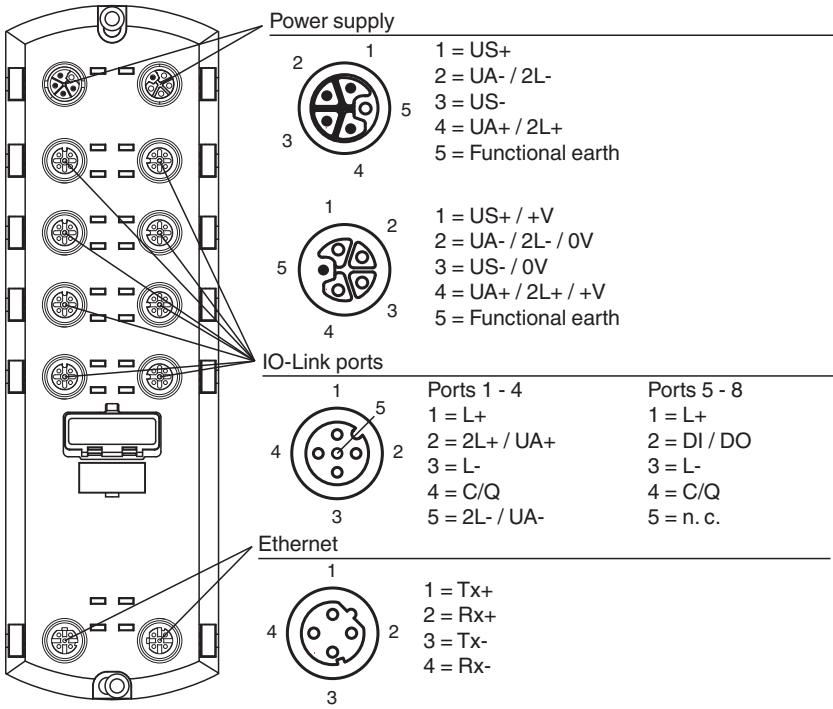
PEPPERL+FUCHS

Technical Data

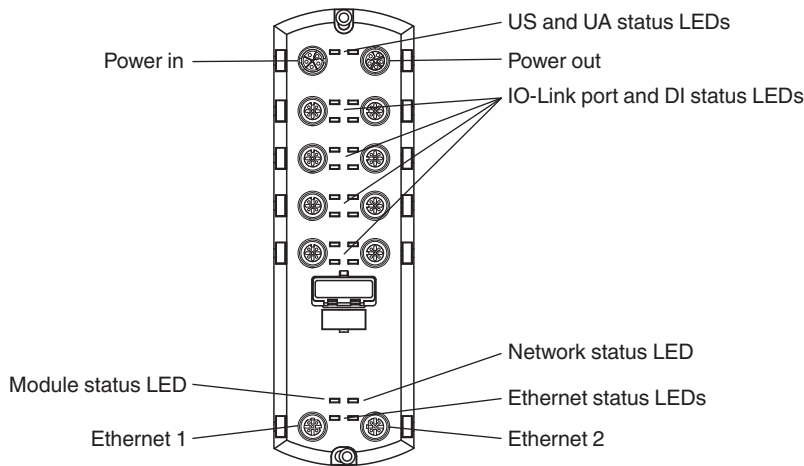
Current loading capacity	Max. 2 x 16 A per module (Loop-through current via L-coded power supply) Total current: max. 6.5 A per module (Class A) Total current: max. 10.4 A per module (Class B)
Galvanic isolation	between US and UA
Interface 1	
Interface type	Industrial Ethernet
Physical	M12, D-coded
Protocol	PROFINET IO with media redundancy protocol (MRP) + Modbus TCP + OPC UA + MQTT Modbus max PDI: 33 times / sec OPC UA max PDI update rate: 20 times / sec MQTT max PDI update rate: 10 times / sec
Transfer rate	10/100 Mbps
Inputs/Outputs	
Number/Type	4 x IO-Link Class B (X1 – X4) and 4 x IO-Link Class A (X5 – X8) Configurable as: Class 2, , PELV or Limited Voltage power supply required max. 12 digital inputs and digital outputs short-circuit protected
Sensor supply	Ports 1 - 8: max. 500 mA per port via L+ (pin 1)
Actuator supply	Port 1: max. 3.5A via 2L+ (pin 2) Ports 2-4: max. 2.3A via 2L+ (pin 2)
Directive conformity	
Electromagnetic compatibility	
Directive 2014/30/EU	EN 61000-6-2 , EN 61000-6-4
RoHS	EN IEC 63000:2018
Standard conformity	
Degree of protection	EN 60529
Fieldbus standard	IEC 61131-2
Electrical safety	CSA C22.2 No. 61010-1-12 UL 61010-1, IEC 61010-2-201
Emitted interference	EN 61000-6-4, FCC Part 15 Subpart B, ICES-001, AS/NZS CISPR 11
Noise immunity	EN 61000-6-2 , EN 61131-2 , EN 61131-9
Shock resistance	EN 60068-2-27
Ambient conditions	
Operating temperature	-25 ... 70 °C (-13 ... 158 °F)
Storage temperature	-40 ... 85 °C (-40 ... 185 °F)
Relative humidity	max. 95 %
Altitude	0 ... 2000 m
Shock and impact resistance	15g, 11ms, half-sine
Mechanical specifications	
Degree of protection	IP67
Connection	Power Supply M12, L-coded Fieldbus M12, D-coded Inputs/Outputs M12, A-coded
Material	
Housing	Molded Polyamide 66
Mass	454 g
Tightening torque, fastening screws	6 Nm
Tightening torque, cable gland	0.6 Nm
Dimensions	65 mm 29.8 mm 212 mm
Height	212 mm
Width	65 mm
Length	29.8 mm
Mounting	Machine or panel

Release date: 2024-05-08 Date of issue: 2024-05-08 Filename: 70118645_eng.pdf

Connection



Assembly



Release date: 2024-05-08 Date of issue: 2024-05-08 Filename: 70118645_eng.pdf