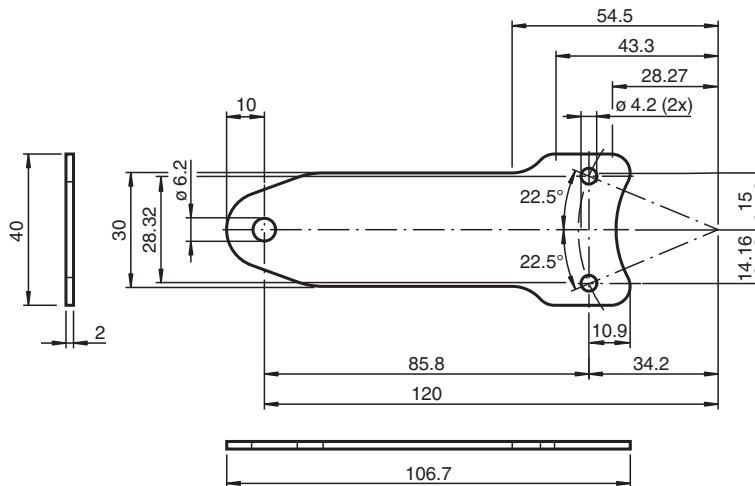


support plate ACC-TOR-ENI90HD-120



Support plate 120 mm, straight

Dimensions



Technical Data

Mechanical specifications

Material Stainless steel 1.4571 / AISI 316Ti

General information

Scope of delivery
 1 Support plate 120 mm, straight
 2 x washer M4 (ISO 7089)
 2 x hexagon head screw M4 x 8 (ISO 4017)

Release date: 2022-07-01 Date of issue: 2022-12-12 Filename: 70118823_eng.pdf

Refer to "General Notes Relating to Pepperl+Fuchs Product Information".

Pepperl+Fuchs Group
www.pepperl-fuchs.com

USA: +1 330 486 0001
fa-info@us.pepperl-fuchs.com

Germany: +49 621 776 1111
fa-info@de.pepperl-fuchs.com

Singapore: +65 6779 9091
fa-info@sg.pepperl-fuchs.com

PF PEPPERL+FUCHS