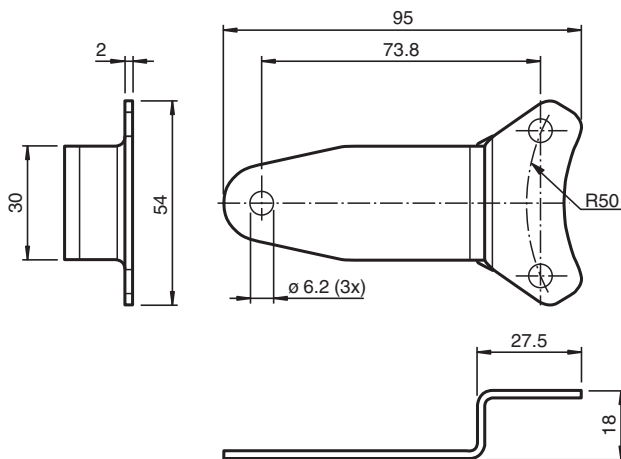


support plate ACC-TOR-ENI90HD-120A



Support plate 120 mm, straight

Dimensions



Technical Data

Mechanical specifications

Material Stainless steel 1.4571 / AISI 316Ti

General information

Scope of delivery
 1 Support plate 120 mm, straight
 2 x washer M4 (ISO 7089)
 2 x hexagon head screw M4 x 8 (ISO 4017)