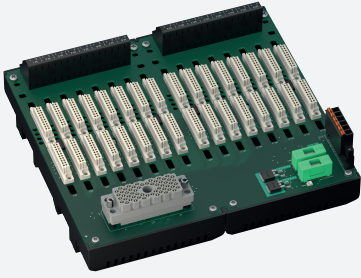


Termination Board

HiCTB16-TRX-RSC-SP-DO16-NEX



- System board for Schneider Electric, Tricon CX series by Triconex
- For 32-channel (16+16) DO card 3626X
- For 16 modules
- Recommended modules: HiC2871A (DO), HiC2873 (DO), HiC2883 (DO), HiC5861 (DO), HiC5863 (DO)
- 24 V DC supply
- Field side: spring terminals, black
- Control side: ELCO socket, 56-pin



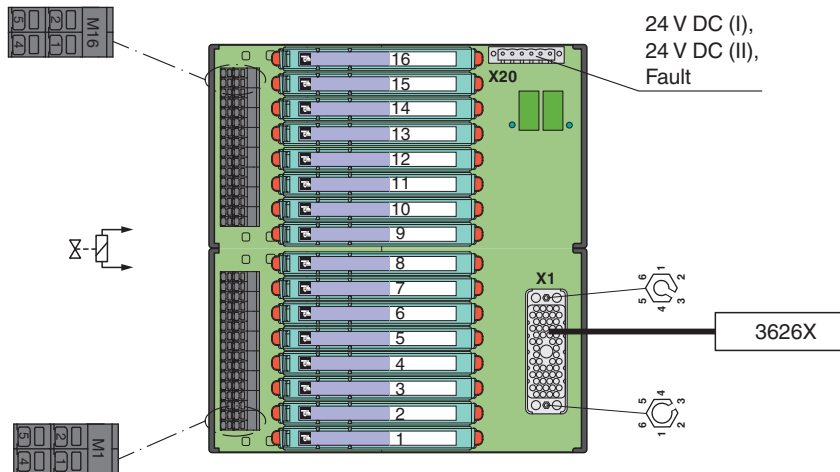
Function

The function of the termination board and the system connector pin assignment is exactly fitted to the requirements of the Triconex Tricon CX system.
 The signal is output to the safety instrumented system via the system connector.
 Information about missing supply voltage of the isolated barriers is available for the system at the volt-free transistor output.
 The termination board has a robust glass fiber reinforced plastic housing.
 The termination board is mounted in the switch cabinet on a 35 mm DIN mounting rail according to EN 60175.

Application

- Triconex card Tricon CX:
- Termination board 1 and cable 1: channel 1 ... 16
 - Termination board 2 and cable 2: channel 17 ... 32

Connection



Technical Data

Supply	
Connection	X20: terminals 3, 5(+); 4, 6(-)
Nominal voltage	24 V DC , in consideration of rated voltage of used isolators
Voltage drop	0.9 V , voltage drop across the series diode on the termination board must be considered
Ripple	≤ 10 %
Fusing	4 A , in each case for 16 modules

Release date: 2023-02-20 Date of issue: 2023-02-20 Filename: 70123797_eng.pdf

Refer to "General Notes Relating to Pepperl+Fuchs Product Information".

Pepperl+Fuchs Group
www.pepperl-fuchs.com

USA: +1 330 486 0002
pa-info@us.pepperl-fuchs.com

Germany: +49 621 776 2222
pa-info@de.pepperl-fuchs.com


Singapore: +65 6779 9091
pa-info@sg.pepperl-fuchs.com

PEPPERL+FUCHS

Technical Data

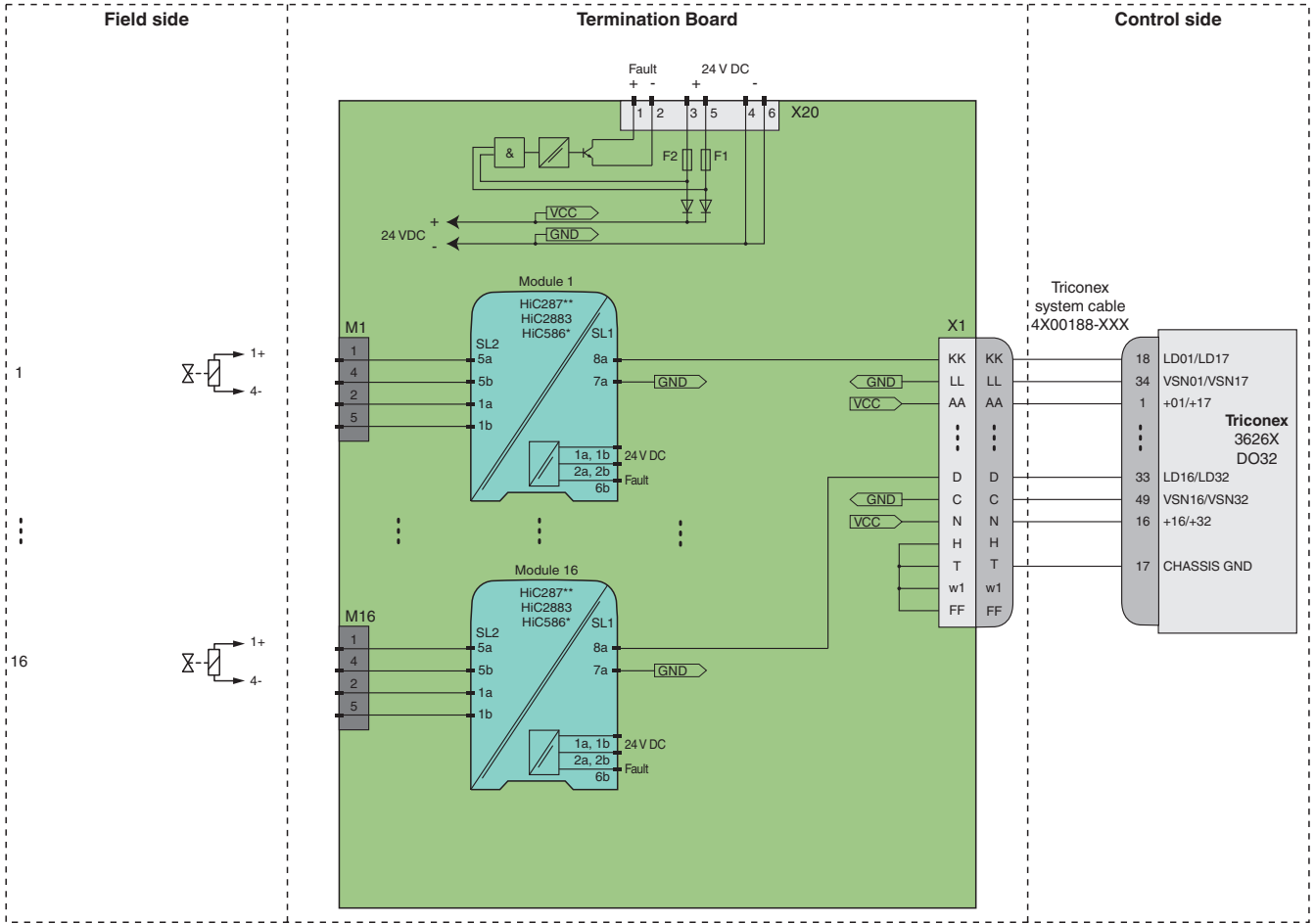
Power dissipation		≤ 500 mW , without modules
Reverse polarity protection		yes
Redundancy		
Supply		Redundancy available. The supply for the isolators is decoupled, monitored and fused.
Fault indication output		
Connection		X20: terminals 1(+), 2(-)
Output type		volt-free transistor output , not short-circuit protected , not overload protected
Rated voltage	U_r	30 V DC
Rated current	I_r	100 mA
Signal level		no fault: (external voltage) - 1 V max. for 100 mA ($T_{amb} = 25\text{ °C}$ (77 °F)) power supply fault: blocked output (off-state current ≤ 10 μA)
Indicators/settings		
Display elements		LED PWR1 (termination board power supply), green LED LED PWR2 (termination board power supply), green LED
Directive conformity		
Electromagnetic compatibility		
Directive 2014/30/EU		EN 61326-1:2013 (industrial locations)
Conformity		
Electromagnetic compatibility		
		NE 21:2017 For further information see system description.
Degree of protection		IEC 60529:2001
Ambient conditions		
Ambient temperature		-20 ... 60 °C (-4 ... 140 °F)
Storage temperature		-40 ... 85 °C (-40 ... 185 °F)
Mechanical specifications		
Degree of protection		IP20
Connection		
Field side		4 spring terminals per module , black
Control side		ELCO socket, 56-pin
Supply		pluggable spring terminals , black
Fault output		pluggable spring terminals , black
Core cross section		spring terminals 0.25 ... 1.5 mm ² (24 ... 16 AWG)
Material		housing: polycarbonate, 10 % glass fiber reinforced
Mass		approx. 665 g
Dimensions		216 x 200 x 163 mm (8.5 x 7.9 x 6.42 inch) (W x H x D) , depth including module assembly
Mounting		on 35 mm DIN mounting rail acc. to EN 60715:2001
General information		
Supplementary information		Observe the certificates, declarations of conformity, instruction manuals, and manuals where applicable. For information see www.pepperl-fuchs.com .

Accessories

	HiALC-HiCTB-SET-108	Label carrier for HiC termination boards
---	----------------------------	--

Application

Typical loop



Module switch settings

Type (DO)	DIP switch	Position
HiC2883 • Line fault detection enabled	S1	I
	S2	freely selectable
	S3	freely selectable
	S4	no function

Type (DO)	
HiC2871A, HiC5861, HiC5863	not available

Type (DO)	DIP switch	Position
HiC2873 • Loop powered • Control input: without function • Line fault detection disabled • Filter enabled	S1	OFF
	S2	ON
	S3	ON
	S4	ON
	S5	OFF
	S6	ON
	S7	OFF
	S8	OFF



For exact pin assignment for connection to field side and control side, see the documentation of the isolated barrier.



The pin-out configuration has to be observed. For information see corresponding pin-out table on www.pepperl-fuchs.com.

Release date: 2023-02-20 Date of issue: 2023-02-20 Filename: 70123797_eng.pdf