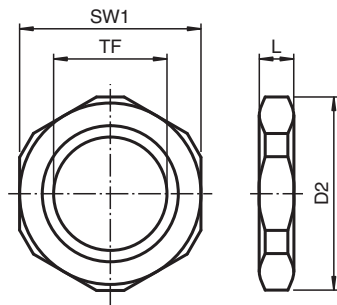


Locknuts

LN.M16.BN.50.K100

- Brass nickel-plated
- Thread M16
- Packaging unit: 100 pieces

Dimensions



Dimension values see data table.

Image and drawing are generic for this component type and may deviate from the specific variant.

Legend

D2	Width across corners
L	Total length
SW1	Width across flats
TF	Thread size female

Technical Data

Mechanical specifications

Thread type	metric ISO pitch 1.5 mm
Thread size female (TF)	M16
Material	brass, nickel-plated
Finish	inherent color silver
Dimensions	
Width across corners (D2)	21 mm
Width across flats (SW1)	19 mm
Total length (L)	5 mm

Release date: 2020-08-05 Date of issue: 2020-08-05 Filename: 70125286_eng.pdf

Refer to "General Notes Relating to Pepperl+Fuchs Product Information".

Pepperl+Fuchs Group
www.pepperl-fuchs.com

USA: +1 330 486 0002
pa-info@us.pepperl-fuchs.com

Germany: +49 621 776 2222
pa-info@de.pepperl-fuchs.com

Singapore: +65 6779 9091
pa-info@sg.pepperl-fuchs.com




PF PEPPERL+FUCHS

Technical Data

General information

Delivery quantity	100
Scope of delivery	Locknuts

Matching system components

	SP.MD.M16.BN.C.15.K50
	SP.MD.M16.SS.C.15.K50
	SP.PE.M16.PA.C.15.K50

Release date: 2020-08-05 Date of issue: 2020-08-05 Filename: 70125286_eng.pdf