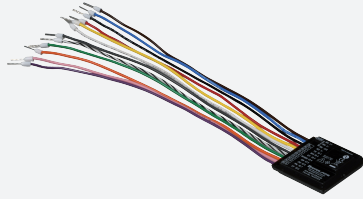


IO-Link printed circuit board module

ICA-8DIO-CB10-IO



- Outputs short-circuit and overload proof
- Connection via lead
- IO-Link interface
- Ultra-compact enclosure
- 8 digital inputs/outputs can be configured

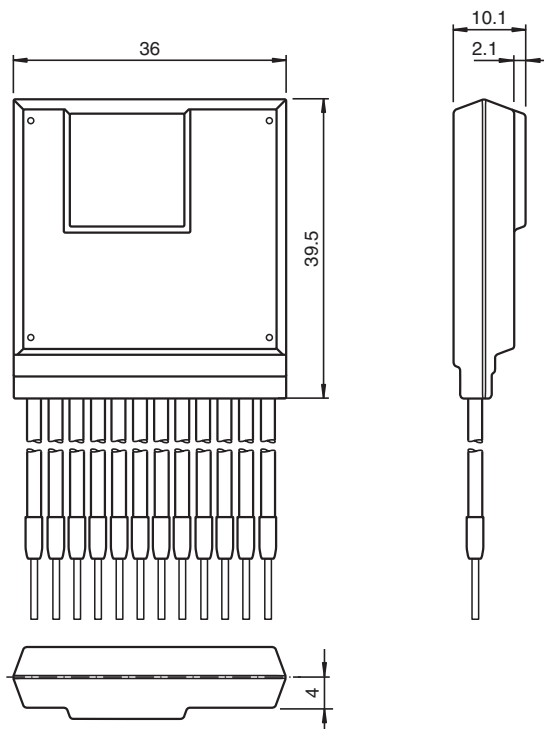
I/O hub with IO-Link interface



Function

The IO-Link PCB module is ideally suited for the integration of customer-specific electronics, e.g. illuminated pushbuttons or LED lights. It has eight freely configurable digital inputs/outputs which are transmitted in bundles via IO-Link. The digital inputs/outputs and IO-Link communication are connected via cable strands. The module is completely powered via a Class A port from IO-Link. The inputs and outputs are short-circuit and overload-proof.

Dimensions



Technical Data

Indicators/operating means

LED PWR	LED green: flashing with short break (1 Hz) - IO-Link mode
LED OL	overload of sensor power supply; LED red

Release date: 2023-05-29 Date of issue: 2023-05-30 Filename: 70127373_eng.pdf

Refer to "General Notes Relating to Pepperl+Fuchs Product Information".

Pepperl+Fuchs Group
www.pepperl-fuchs.com

USA: +1 330 486 0001
fa-info@us.pepperl-fuchs.com

Germany: +49 621 776 1111
fa-info@de.pepperl-fuchs.com

Singapore: +65 6779 9091
fa-info@sg.pepperl-fuchs.com

PEPPERL+FUCHS

Technical Data

LED IO	Switching status/overload (input/output); 8 LED yellow/red yellow: input/output active red: output overload	
Electrical specifications		
Operating voltage	U_B	18 ... 30 V DC, PELV
No-load supply current	I_o	max. 25 mA
Operating current	I_B	max. 2 A
Protection class		III
Interface		
Interface type		IO-Link
IO-Link revision		1.1
Device profile		Identification and Diagnosis - I&D
Process data		Inputs 2 Byte - Input signals 8 Bit - diagnosis signals 4 Bit Outputs 2 Byte - Output signals 8 Bit - Special functions 8 Bit
Vendor ID		1 (0x0001)
Device ID		984577 (0x0F0601)
Data transfer rate		COM3 (230.4 kbits/s)
Min. cycle time		1 ms
SIO mode support		no
Compatible master port type		Class A , Class B
Input		
Number/Type		8 Inputs for 3-wire sensors (PNP), DC (IO1 ... IO8)
Supply		from IO-Link
Voltage		18 ... 30 V
Current loading capacity		400 mA , overload and short-circuit protected
Input current		≤ 5 mA (limited internally)
Switching point		Type 1 according to IEC 61131-2
Output		
Number/Type		8 electronic outputs, PNP (IO1 ... IO8), overload proof and short-circuit proof
Supply		from IO-Link
Voltage		≥ ($U_B - 1.5$ V)
Current		200 mA per output
Directive conformity		
Electromagnetic compatibility		
Directive 2014/30/EU		EN 61326-1:2013 EN 55011:2016
Standard conformity		
Degree of protection		EN 60529:2000
Fieldbus standard		EN 61131-9:2013
Input		EN 61131-2:2007
Communication interface		IEC 61131-9 / IO-Link V1.1.3
Emitted interference		EN 61000-6-4:2007
Noise immunity		EN 61000-6-2:2005, EN 61326-1:2006
Approvals and certificates		
UL approval		Protection class IP20 is not included in the UL approval. The protection class is tested by Pepperl+Fuchs.
Ambient conditions		
Ambient temperature		-40 ... 70 °C (-40 ... 158 °F)
Storage temperature		-40 ... 85 °C (-40 ... 185 °F)
Relative humidity		85 % non-condensing
Climatic conditions		For indoor use only
Altitude		≤ 5000 m above MSL

Release date: 2023-05-29 Date of issue: 2023-05-30 Filename: 70127373_eng.pdf

Refer to "General Notes Relating to Pepperl+Fuchs Product Information".

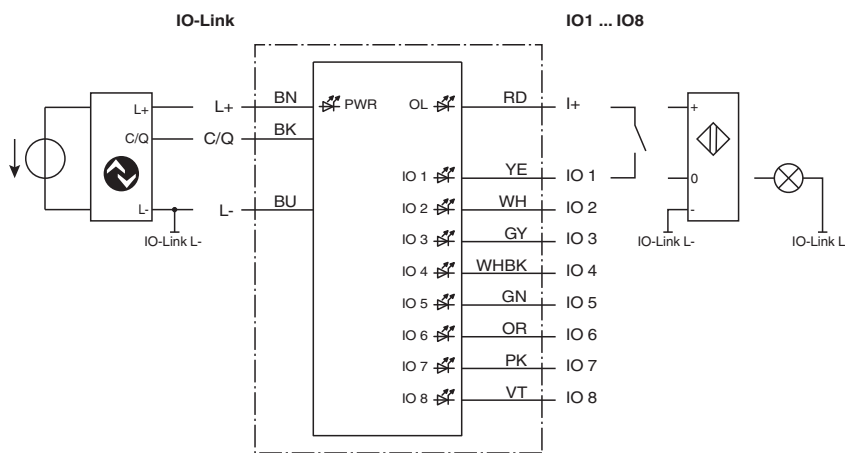
Pepperl+Fuchs Group
www.pepperl-fuchs.comUSA: +1 330 486 0001
fa-info@us.pepperl-fuchs.comGermany: +49 621 776 1111
fa-info@de.pepperl-fuchs.comSingapore: +65 6779 9091
fa-info@sg.pepperl-fuchs.com

PEPPERL+FUCHS

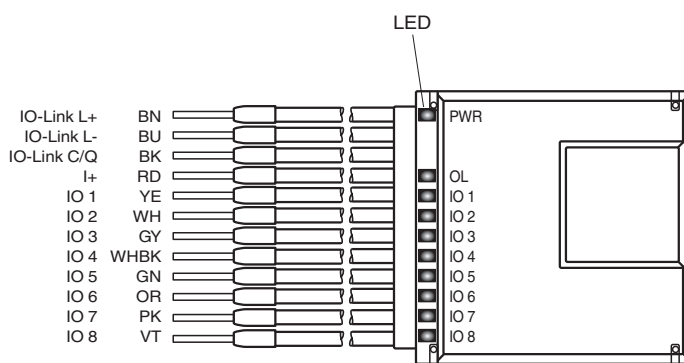
Technical Data

Shock and impact resistance	30 g, 11 ms in 6 spatial directions, 3 shocks 10 g, 16 ms in 6 spatial directions, 1000 shocks
Vibration resistance	0.35 mm / 5 g 5 ... 500 Hz
Pollution degree	2
Mechanical specifications	
Degree of protection	IP20 according to EN 60529
Connection	200 mm, PVC cable 0.5 mm ²
Material	
Housing	Polyamide hot-melt adhesive
Mass	33 g
Note	This device is maintenance-free. If the device is used in a manner not specified by the manufacturer, the protection provided by the device may be impaired.

Connection



Indication



Connection

For inputs and outputs that are supplied by the module from IO-Link, do not connect any of the signal or supply connections to external potentials.

Release date: 2023-05-29 Date of issue: 2023-05-30 Filename: 70127373_eng.pdf

Cybersecurity

From the security point-of-view, the responsible plant operator requires to take the following measures:

- Provide physical protection of the device from unauthorized third-party access
- Ensure that the IO-Link device communicates in a point-to-point connection to the counter station