



## Retroreflective sensor

### OBR10M-R202-E2-0,3M-V1-4R



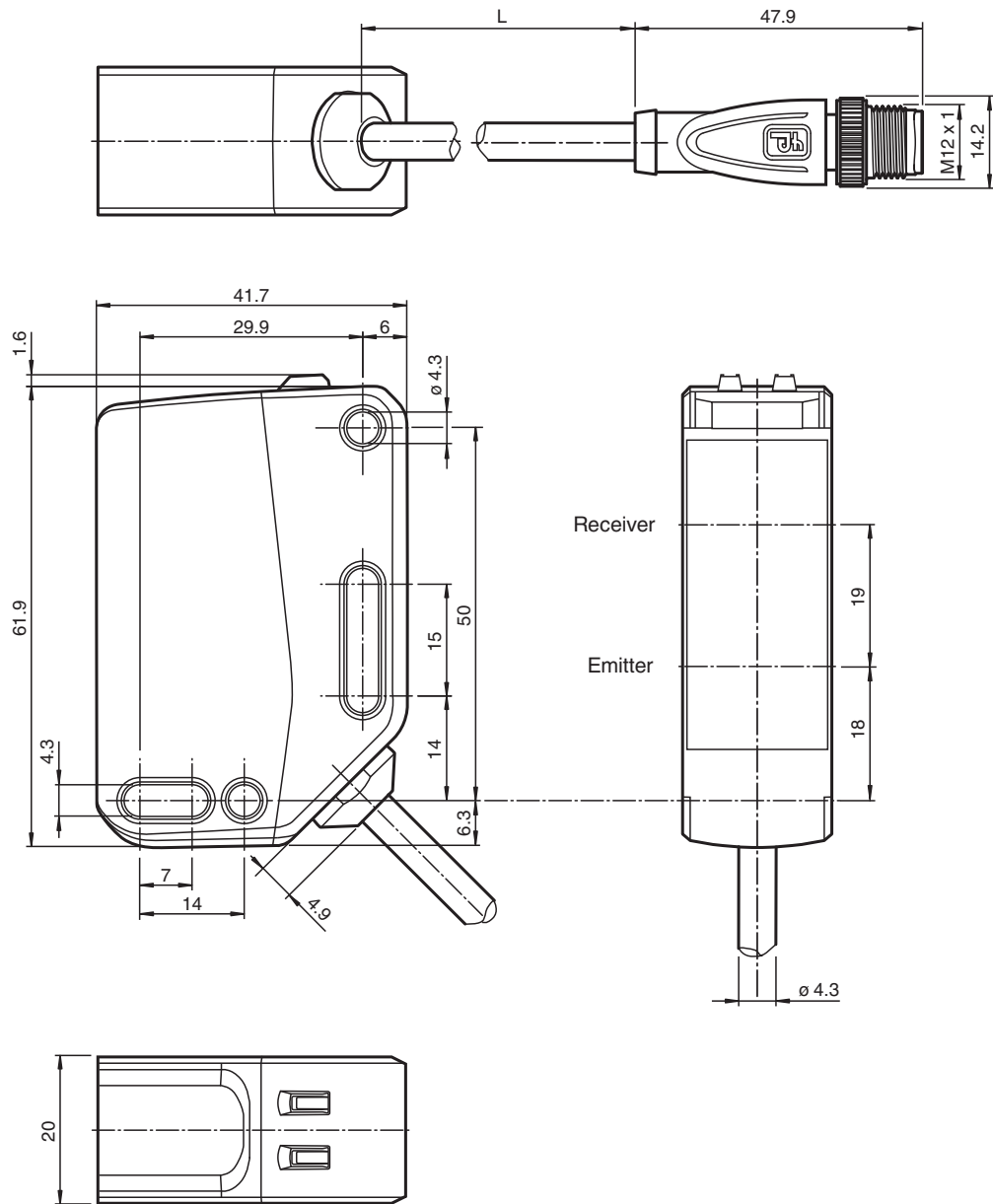
- Reliable detection of foil wrapped objects
- Medium design with versatile mounting options
- Degree of protection IP67
- Mounting on full metal sockets
- Very bright, highly visible light spot
- Clearly visible LEDs for Power ON, switching state and weak signal indication
- Easy to use
- Image is generic for this device type and may deviate from the specific variant



## Function

The optical sensors of this series for applications in standard automation have a modern housing design. The sensors are characterized by the many mounting options, easy handling and highly visible LED status indicators. The integrated full metal bushings ensure long-term secure and dimensionally stable mounting.

Dimensions



Technical Data

| General specifications    |                             |
|---------------------------|-----------------------------|
| Effective detection range | 0 ... 10 m                  |
| Reflector distance        | 0.05 ... 10 m               |
| Threshold detection range | 12 m                        |
| Reference target          | H85-2 reflector             |
| Light source              | LED                         |
| Light type                | modulated visible red light |
| LED risk group labelling  | exempt group                |

Release date: 2024-03-04 Date of issue: 2024-03-04 Filename: 70128080-100067\_eng.pdf

Refer to "General Notes Relating to Pepperl+Fuchs Product Information".

Pepperl+Fuchs Group  
www.pepperl-fuchs.com

USA: +1 330 486 0001  
fa-info@us.pepperl-fuchs.com

Germany: +49 621 776 1111  
fa-info@de.pepperl-fuchs.com

Singapore: +65 6779 9091  
fa-info@sg.pepperl-fuchs.com

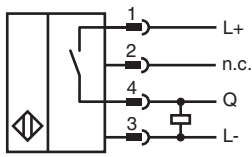
**PF** PEPPERL+FUCHS

## Technical Data

|   |                |   |
|---|----------------|---|
| Polarization filter                         |                | yes   |
| Diameter of the light spot                  |                | approx. 300 mm at a distance of 10 m  |
| Opening angle                               |                | 2 °   |
| Ambient light limit                         |                | EN 60947-5-2 : 60000 Lux  |
| <b>Functional safety related parameters</b> |                |   |
| MTTF <sub>d</sub>                           |                | 876 a   |
| Mission Time (T <sub>M</sub> )              |                | 20 a  |
| Diagnostic Coverage (DC)                    |                | 0 %   |
| <b>Indicators/operating means</b>           |                |   |
| Operation indicator                         |                | LED green:<br>on - power on<br>flashing (4 Hz) - short circuit  |
| Function indicator                          |                | Yellow LED:<br>Permanently lit - light path clear<br>Permanently off - object detected<br>Flashing (4 Hz) - insufficient operating reserve<br>Flashing (8 Hz) - fault detected, the outputs maintain the status |
| <b>Electrical specifications</b>            |                |   |
| Operating voltage                           | U <sub>B</sub> | 10 ... 30 V DC  |
| Ripple                                      |                | max. 10 %   |
| No-load supply current                      | I <sub>0</sub> | < 30 mA at 24 V Operating voltage   |
| Protection class                            |                | III   |
| <b>Output</b>                               |                |   |
| Switching type                              |                | The default setting is: Q - Pin4: PNP normally open / dark-on   |
| Signal output                               |                | 1 PNP, short-circuit protected, reverse polarity protected, open collector  |
| Switching voltage                           |                | max. 30 V DC  |
| Switching current                           |                | max. 100 mA , resistive load  |
| Usage category                              |                | DC-12 and DC-13   |
| Voltage drop                                | U <sub>d</sub> | ≤ 1.5 V DC  |
| Switching frequency                         | f              | 1000 Hz   |
| Response time                               |                | 0.5 ms  |
| <b>Conformity</b>                           |                |   |
| Product standard                            |                | EN 60947-5-2  |
| <b>Approvals and certificates</b>           |                |   |
| UL approval                                 |                | E87056 , cULus Listed , class 2 power supply , type rating 1  |
| CCC approval                                |                | CCC approval / marking not required for products rated ≤36 V  |
| <b>Ambient conditions</b>                   |                |   |
| Ambient temperature                         |                | -30 ... 60 °C (-22 ... 140 °F) , fixed cable<br>-20 ... 60 °C (-4 ... 140 °F) , movable cable not appropriate for conveyor chains   |
| Storage temperature                         |                | -40 ... 70 °C (-40 ... 158 °F)  |
| <b>Mechanical specifications</b>            |                |   |
| Degree of protection                        |                | IP67  |
| Connection                                  |                | 300 mm fixed cable with M12 x 1, 4-pin connector  |
| Material                                    |                |   |
| Housing                                     |                | PC (Polycarbonate)  |
| Optical face                                |                | PMMA  |
| Mass  |                | approx. 70 g  |
| Dimensions                                  |                |   |
| Height                                      |                | 62 mm   |
| Width                                       |                | 20 mm   |
| Depth                                       |                | 42 mm   |
| Cable length                                |                | 0.3 m   |

Release date: 2024-03-04 Date of issue: 2024-03-04 Filename: 70128080-100067\_eng.pdf

**Connection**



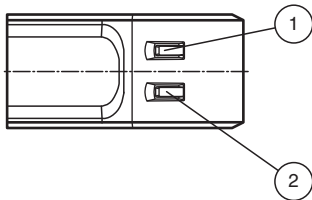
**Connection Assignment**



Wire colors in accordance with EN 60947-5-2

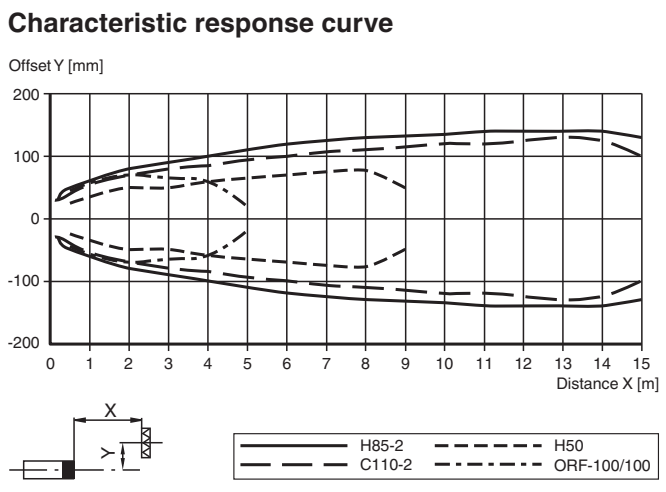
- 1 | BN (brown)
- 2 | WH (white)
- 3 | BU (blue)
- 4 | BK (black)

**Assembly**



|   |                     |    |
|---|---------------------|----|
| 1 | Function indicator  | YE |
| 2 | Operation indicator | GN |

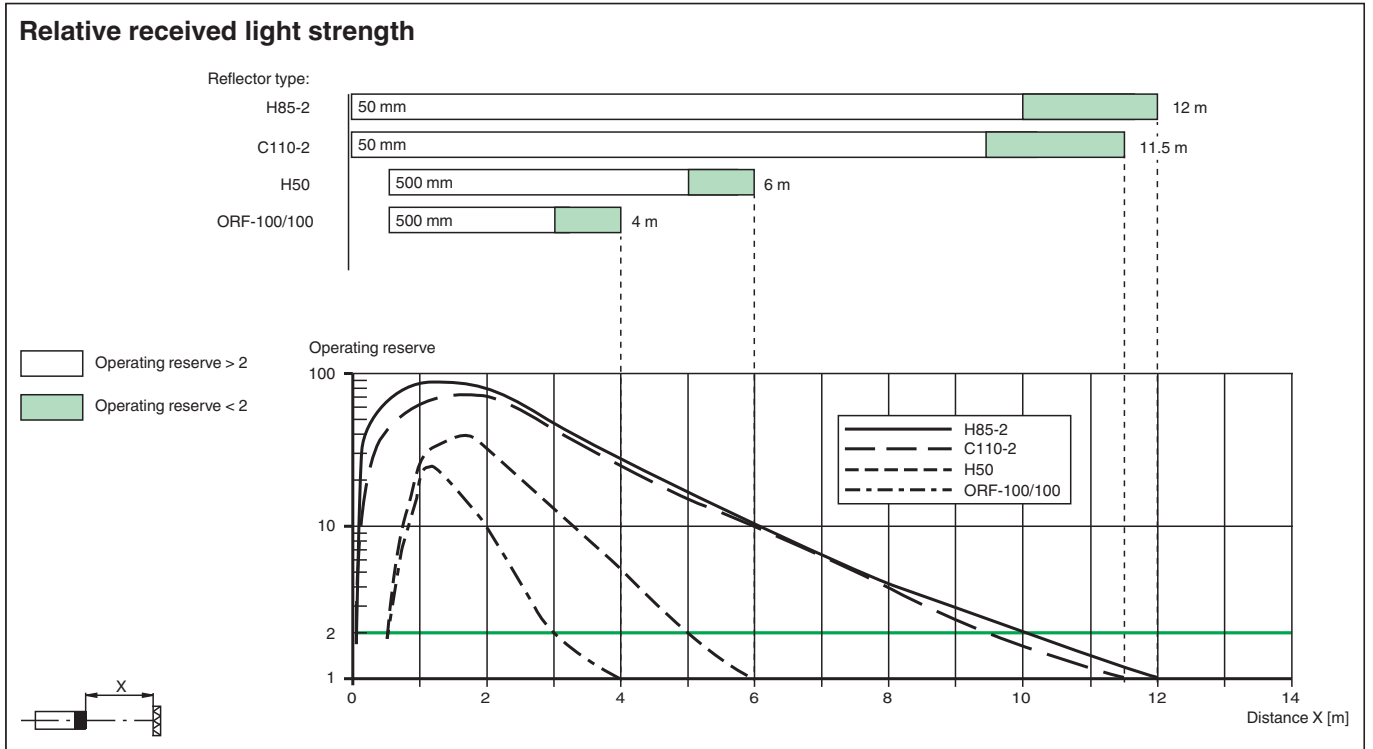
**Characteristic Curve**



Release date: 2024-03-04 Date of issue: 2024-03-04 Filename: 70128080-100067\_eng.pdf

Refer to "General Notes Relating to Pepperl+Fuchs Product Information".

Characteristic Curve



Release date: 2024-03-04 Date of issue: 2024-03-04 Filename: 70128080-100067\_eng.pdf

Refer to "General Notes Relating to Pepperl+Fuchs Product Information".

Pepperl+Fuchs Group  
www.pepperl-fuchs.com

USA: +1 330 486 0001  
fa-info@us.pepperl-fuchs.com

Germany: +49 621 776 1111  
fa-info@de.pepperl-fuchs.com

Singapore: +65 6779 9091  
fa-info@sg.pepperl-fuchs.com

**PF** PEPPERL+FUCHS