

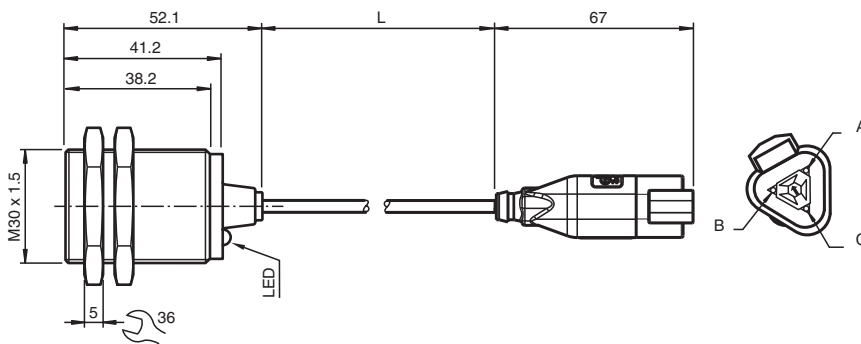
## Inductive sensor

### NBB15-30GM40-EU-M1-300MM-3DT04

- 15 mm flush
- 0.5 / 4.5 VDC switching output for mobile equipment controls
- Extended temperature range  
-40 ... +85 °C
- 3-pin Deutsch connector (DT04)
- Highly shock and vibration resistant
- Raised EMC resistance 30 V/m
- With increased sealing, protection class  
IP68 / IP69K



## Dimensions



## Technical Data

### General specifications

Output type		Digital voltage output
Rated operating distance	$s_n$	15 mm
Installation		flush
Output polarity		DC
Assured operating distance	$s_a$	0 ... 12.15 mm
Actuating element		mild steel, e. g. 1.0037, SR235JR (formerly St37-2) 45 mm x 45 mm x 1 mm
Reduction factor $r_{Al}$		0.45
Reduction factor $r_{Cu}$		0.4
Reduction factor $r_{304}$		0.7
Reduction factor $r_{Brass}$		0.5
Output type		3-wire

### Nominal ratings

Operating voltage	$U_B$	7 ... 30 V DC
Switching frequency	$f$	0 ... 500 Hz
Hysteresis	$H$	2 ... 15 %
Reverse polarity protection		reverse polarity protected
Short-circuit protection		yes
Temperature drift		≤ 10 %
No-load supply current	$I_0$	≤ 15 mA

Release date: 2024-03-22 Date of issue: 2024-03-23 Filename: 70128557\_eng.pdf

Refer to "General Notes Relating to Pepperl+Fuchs Product Information".

Pepperl+Fuchs Group  
www.pepperl-fuchs.com

USA: +1 330 486 0001  
fa-info@us.pepperl-fuchs.com

Germany: +49 621 776 1111  
fa-info@de.pepperl-fuchs.com

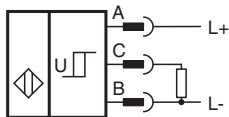
Singapore: +65 6779 9091  
fa-info@sg.pepperl-fuchs.com

PEPPERL+FUCHS

## Technical Data

Time delay before availability	$t_v$	$\leq 100$ ms
Load resistor		min. 20 k $\Omega$
Switching state indicator		LED, yellow
<b>Digital output</b>		
Output value		object detected: 4.5 V $\pm$ 0.2 V object not detected: 0.5 V $\pm$ 0.2 V
<b>Compliance with standards and directives</b>		
Standard conformity		
Standards		EN 60947-5-2:2007 EN 60947-5-2/A1:2012 IEC 60947-5-2:2007 IEC 60947-5-2 AMD 1:2012
<b>Ambient conditions</b>		
Ambient temperature		-40 ... 85 °C (-40 ... 185 °F)
Storage temperature		-40 ... 85 °C (-40 ... 185 °F)
<b>Mechanical specifications</b>		
Connection type		fixed cable with plug
Housing material		brass , white bronze coated
Sensing face		PBT , green
Degree of protection		IP68 / IP69K
Connector		
Connection assembly		Deutsch connector DT04-3P-CE02 Deutsch contact 1060-16-0622 Deutsch wedge W3P
<b>Cable</b>		
Cable diameter		6 mm $\pm$ 0.2 mm
Bending radius		> 6 x cable diameter
Material		PUR
Color		black
Number of cores		3
Core cross section		0.75 mm <sup>2</sup>
Length	L	285 mm $\pm$ max. 10 mm
<b>Dimensions</b>		
Length		50 mm
Diameter		30 mm
<b>General information</b>		
Scope of delivery		2 self locking nuts in scope of delivery

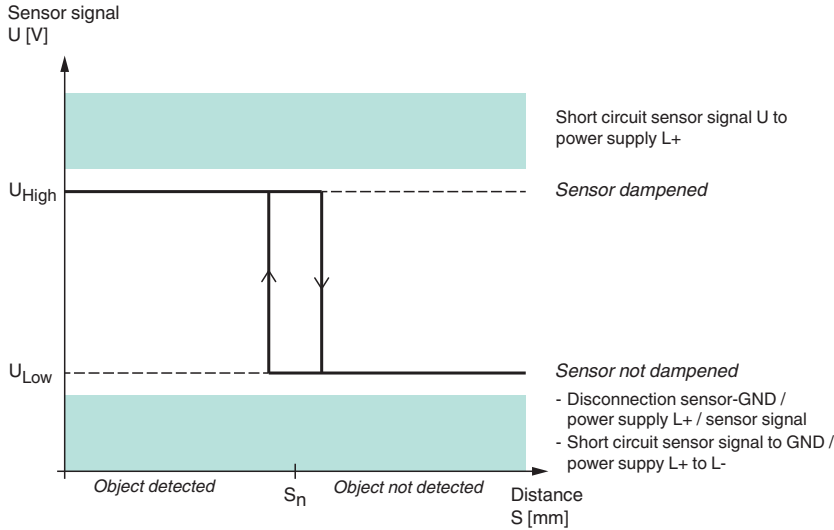
## Connection



### Wire colors

A	BN
B	BU
C	BK

**Operation**



**Technical Features**

Mains-borne interference in accordance with ISO 7637-2:

Pulse	1	2a	2b	3a	3b	4
Severity level	III	III	III	III	III	III
Failure criterion	A	A	C	A	A	C

EN 61000-4-2: CD: 8 kV / AD: 15 kV  
Severity level IV IV

EN 61000-4-3: 36 V/m (80...2500 MHz)  
Severity level IV

EN 61000-4-4: 2 kV  
Severity level III

EN 61000-4-6: 30 V (0.01...80 MHz)  
Severity level III

EN 55011: Class A

Release date: 2024-03-22 Date of issue: 2024-03-23 Filename: 70128557\_eng.pdf