

Scanner holder for 1-D/2-D code handheld readers for VisuNet FLX

SCANNER-HOLDER-U1-3200-N0



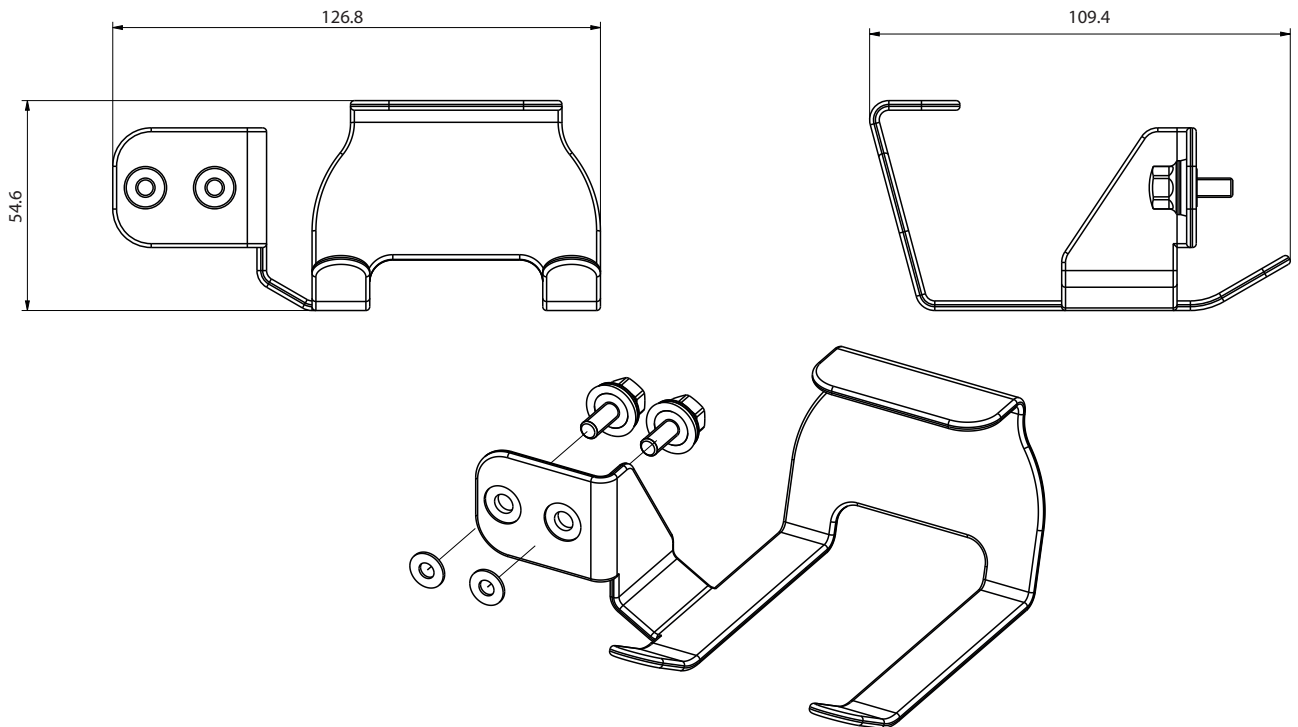
- Mounting bracket
- Simple and fast mounting
- Compatible with AG-3200 housing (adapter included)
- Compatible with 1-D/2-D code handheld readers such as the IDM and Ident-Ex® portfolios

Stainless steel holder for IDMX6x handheld readers and Ident-Ex® 01, compatible with AG-3200 housing

Function

The SCANNER-HOLDER-U1-3200-N0 comes with an adapter and screws for mounting to the AG-3200 housing.

Dimensions



Technical Data

Mechanical specifications

Material	1.4301 stainless steel
Mass	300 g
Mounting	Included in delivery: 2 x M5 screws and mounting adapter Tightening torque: 6 Nm For more information, refer to the VisuNet FLX System manual.

Release date: 2021-11-16 Date of issue: 2021-11-16 Filename: 70129840_eng.pdf

Refer to "General Notes Relating to Pepperl+Fuchs Product Information".

Pepperl+Fuchs Group
www.pepperl-fuchs.com

USA: +1 330 486 0002
pa-info@us.pepperl-fuchs.com

Germany: +49 621 776 2222
pa-info@de.pepperl-fuchs.com

Singapore: +65 6779 9091
pa-info@sg.pepperl-fuchs.com

PF PEPPERL+FUCHS