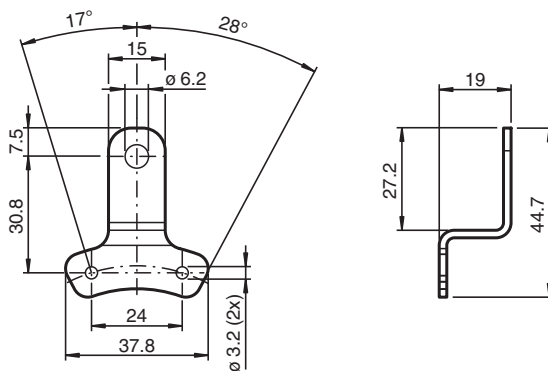


support plate
ACC-TOR-ENI90PL-070

Stützblech 70 mm, right angle

Dimensions



Technical Data

Mechanical specifications

Material Stainless steel 1.4571 / AISI 316Ti

General information

Scope of delivery
 1 Stützblech 70 mm, right angle
 2 x washer M3 (ISO 7092)
 2 x allen head screw M3 x 8 (DIN 7984)