

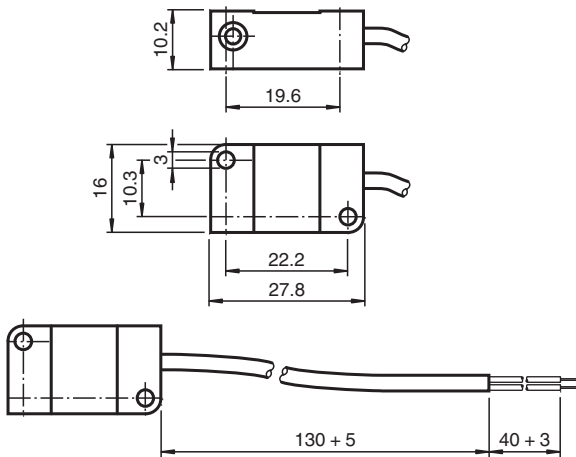
Inductive sensor

NJ2-V3-N-Y220141

- 2 mm flush
- Usable up to SIL 2 acc. to IEC 61508



Dimensions



Technical Data

General specifications

Switching function		Normally closed (NC)
Output type		NAMUR
Rated operating distance	s_n	2 mm
Installation		flush
Assured operating distance	s_a	0 ... 1.62 mm
Reduction factor r_{Al}		0.25
Reduction factor r_{Cu}		0.2
Reduction factor r_{304}		0.7
Output type		2-wire

Nominal ratings

Nominal voltage	U_o	8.2 V (R_i approx. 1 k Ω)
Switching frequency	f	0 ... 1000 Hz
Hysteresis	H	0.01 ... 0.1 mm
Current consumption		
Measuring plate not detected		≥ 3 mA
Measuring plate detected		≤ 1 mA

Functional safety related parameters

Safety Integrity Level (SIL)		SIL 2
MTTF _d		11775 a
Mission Time (T_M)		20 a
Diagnostic Coverage (DC)		0 %

Release date: 2024-05-28 Date of issue: 2024-06-01 Filename: 70133097_eng.pdf

Refer to "General Notes Relating to Pepperl+Fuchs Product Information".

Pepperl+Fuchs Group
www.pepperl-fuchs.com

USA: +1 330 486 0001
fa-info@us.pepperl-fuchs.com

Germany: +49 621 776 1111
fa-info@de.pepperl-fuchs.com

Singapore: +65 6779 9091
fa-info@sg.pepperl-fuchs.com

PF PEPPERL+FUCHS

Technical Data

Compliance with standards and directives

Standard conformity

NAMUR	EN 60947-5-6:2000 IEC 60947-5-6:1999
-------	---

Standards	EN IEC 60947-5-2
-----------	------------------

Approvals and certificates

IECEX approval

Equipment protection level Ga	IECEX PTB 11.0021X
-------------------------------	--------------------

Equipment protection level Gb	IECEX PTB 11.0021X
-------------------------------	--------------------

Equipment protection level Da	IECEX PTB 11.0021X
-------------------------------	--------------------

Equipment protection level Mb	IECEX PTB 11.0021X
-------------------------------	--------------------

ATEX approval

Equipment protection level Ga	PTB 00 ATEX 2032 X
-------------------------------	--------------------

Equipment protection level Gb	PTB 00 ATEX 2032 X
-------------------------------	--------------------

Equipment protection level Da	PTB 00 ATEX 2032 X
-------------------------------	--------------------

UL approval

Ordinary Location	E87056
-------------------	--------

Hazardous Location	E501628
--------------------	---------

Control drawing	116-0451
-----------------	----------

CCC approval

Hazardous Location	2020322315002302
--------------------	------------------

NEPSI approval

NEPSI certificate	GYJ16.1394X
-------------------	-------------

CML approval

	on request
--	------------

ANZEx

	19.3001X
--	----------

Ambient conditions

Ambient temperature	-25 ... 100 °C (-13 ... 212 °F)
---------------------	---------------------------------

Mechanical specifications

Connection type	cable
-----------------	-------

Housing material	PBT
------------------	-----

Sensing face	PBT
--------------	-----

Degree of protection	IP67
----------------------	------

Cable

Cable diameter	2.6 mm ± 0.2 mm
----------------	-----------------

Bending radius	> 10 x cable diameter
----------------	-----------------------

Material	PVC
----------	-----

Core cross section	0.14 mm ²
--------------------	----------------------

Length	L	170 mm
--------	---	--------

Tightening torque, fastening screws	≤ 0.4 Nm
-------------------------------------	----------

Dimensions

Height	10.2 mm
--------	---------

Width	27.8 mm
-------	---------

Length	16 mm
--------	-------

General information

Use in the hazardous area	see instruction manuals
---------------------------	-------------------------

Connection



Release date: 2024-05-28 Date of issue: 2024-06-01 Filename: 70133097_eng.pdf

Refer to "General Notes Relating to Pepperl+Fuchs Product Information".

Pepperl+Fuchs Group
www.pepperl-fuchs.com

USA: +1 330 486 0001
fa-info@us.pepperl-fuchs.com

Germany: +49 621 776 1111
fa-info@de.pepperl-fuchs.com

Singapore: +65 6779 9091
fa-info@sg.pepperl-fuchs.com