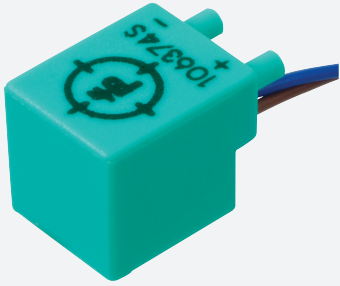


Inductive sensor

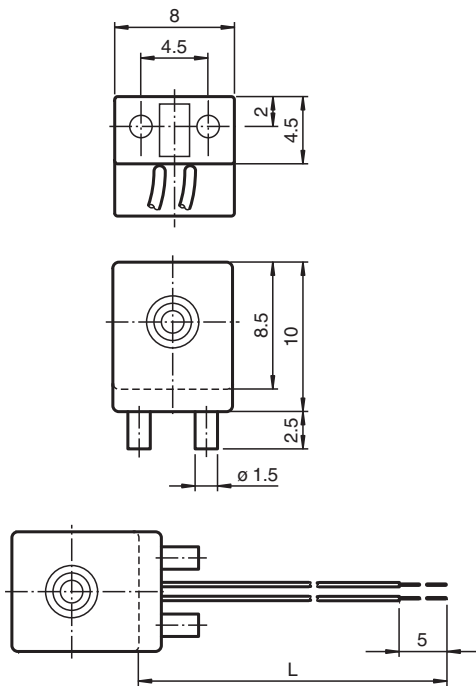
NJ1,5-F-N-Y217733



- Comfort series
- 1.5 mm non-flush



Dimensions



Technical Data

General specifications

Switching function		Normally closed (NC)
Output type		NAMUR
Rated operating distance	s_n	1.5 mm
Installation		non-flush
Assured operating distance	s_a	0 ... 1.22 mm
Reduction factor r_{AI}		0.4
Reduction factor r_{Cu}		0.3
Reduction factor r_{304}		0.85
Output type		2-wire

Release date: 2023-05-26 Date of issue: 2023-05-26 Filename: 70133118_eng.pdf

Refer to "General Notes Relating to Pepperl+Fuchs Product Information".

Pepperl+Fuchs Group
www.pepperl-fuchs.com

USA: +1 330 486 0001
fa-info@us.pepperl-fuchs.com

Germany: +49 621 776 1111
fa-info@de.pepperl-fuchs.com

Singapore: +65 6779 9091
fa-info@sg.pepperl-fuchs.com

PF PEPPERL+FUCHS

Technical Data

Nominal ratings		
Nominal voltage	U_o	8.2 V (R_i approx. 1 k Ω)
Switching frequency	f	0 ... 5000 Hz
Hysteresis	H	typ. %
Current consumption		
Measuring plate not detected		min. 3 mA
Measuring plate detected		≤ 1 mA
Functional safety related parameters		
MTTF _d		8734 a
Mission Time (T_M)		20 a
Diagnostic Coverage (DC)		0 %
Compliance with standards and directives		
Standard conformity		
NAMUR		EN 60947-5-6:2000 IEC 60947-5-6:1999
Standards		EN 60947-5-2:2007 EN 60947-5-2/A1:2012 IEC 60947-5-2:2007 IEC 60947-5-2 AMD 1:2012
Approvals and certificates		
IECEX approval		
Equipment protection level Gb		IECEX PTB 11.0021X
Equipment protection level Da		IECEX PTB 11.0021X
Equipment protection level Mb		IECEX PTB 11.0021X
ATEX approval		
Equipment protection level Gb		PTB 00 ATEX 2032 X
Equipment protection level Da		PTB 00 ATEX 2032 X
UL approval		cULus Listed, General Purpose
CML approval		on request
ANZEx		19.3001X
Ambient conditions		
Ambient temperature		-25 ... 100 °C (-13 ... 212 °F)
Mechanical specifications		
Connection type		flexible leads
Housing material		PBT
Sensing face		PBT
Degree of protection		IP68
Cable		
Material		LIFYW
Core cross section		0.06 mm ²
Length	L	110 mm
General information		
Use in the hazardous area		see instruction manuals

Connection

