

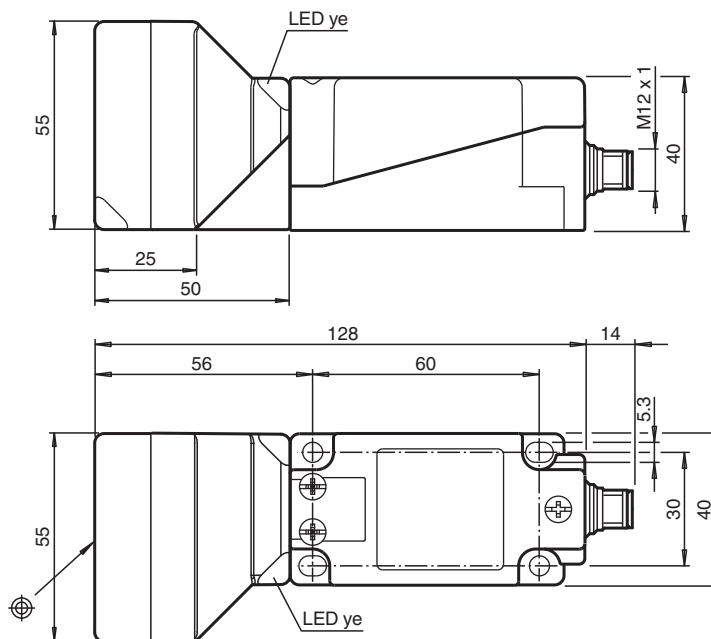


Inductive sensor NBN40-U4LK-N0-V1

- Sensor head bidirectional and rotatable
- 40 mm non-flush



Dimensions



Technical Data

General specifications

| | | |
|------------------------------|-------|----------------------|
| Switching function | | Normally closed (NC) |
| Output type | | NAMUR |
| Rated operating distance | s_n | 40 mm |
| Installation | | non-flush |
| Assured operating distance | s_a | 0 ... 32.4 mm |
| Reduction factor r_{Al} | | 0.41 |
| Reduction factor r_{Cu} | | 0.38 |
| Reduction factor r_{304} | | 0.75 |
| Reduction factor r_{Brass} | | 0.46 |

Release date: 2023-05-26 Date of issue: 2023-05-26 Filename: 70133146_eng.pdf

Refer to "General Notes Relating to Pepperl+Fuchs Product Information".

Pepperl+Fuchs Group
www.pepperl-fuchs.com

USA: +1 330 486 0001
fa-info@us.pepperl-fuchs.com

Germany: +49 621 776 1111
fa-info@de.pepperl-fuchs.com

Singapore: +65 6779 9091
fa-info@sg.pepperl-fuchs.com

PF PEPPERL+FUCHS

Technical Data

| | | |
|---|-------|---|
| Output type | | 2-wire |
| Nominal ratings | | |
| Installation conditions | | |
| A | | 25 mm |
| Nominal voltage | U_o | 8.2 V (R_i approx. 1 k Ω) |
| Switching frequency | f | 0 ... 100 Hz |
| Hysteresis | H | 2 ... 20 typ. 10 % |
| Reverse polarity protection | | reverse polarity protected |
| Short-circuit protection | | yes |
| Current consumption | | |
| Measuring plate not detected | | min. 2.5 mA |
| Measuring plate detected | | \leq 1 mA |
| Switching state indicator | | LED, yellow |
| Compliance with standards and directives | | |
| Standard conformity | | |
| NAMUR | | EN 60947-5-6:2000 IEC 60947-5-6:1999 |
| Electromagnetic compatibility | | NE 21:2012 |
| Standards | | EN 60947-5-2:2007 EN 60947-5-2/A1:2012 IEC 60947-5-2:2007 IEC 60947-5-2 AMD 1:2012 |
| Approvals and certificates | | |
| IECEX approval | | |
| Equipment protection level Ga | | IECEX PTB 11.0021X |
| Equipment protection level Gb | | IECEX PTB 11.0021X |
| Equipment protection level Da | | IECEX PTB 11.0021X |
| ATEX approval | | |
| Equipment protection level Ga | | PTB 00 ATEX 2032 X |
| Equipment protection level Gb | | PTB 00 ATEX 2032 X |
| Equipment protection level Da | | PTB 00 ATEX 2032 X |
| UL approval | | |
| Ordinary Location | | E87056 |
| Hazardous Location | | E501628 |
| Control drawing | | 116-0451 |
| CCC approval | | |
| Hazardous Location | | 2020322315002302 |
| NEPSI approval | | |
| NEPSI certificate | | GYJ16.1394X |
| CML approval | | on request |
| Ambient conditions | | |
| Ambient temperature | | -25 ... 100 °C (-13 ... 212 °F) |
| Storage temperature | | -40 ... 100 °C (-40 ... 212 °F) |
| Mechanical specifications | | |
| Connection type | | Connector plug |
| Housing material | | PA |
| Sensing face | | PA |
| Housing base | | metal |
| Degree of protection | | IP67 / IP69K |
| Connector | | |
| Threading | | M12 x 1 |
| Number of pins | | 4 |
| General information | | |
| Use in the hazardous area | | see instruction manuals |

Release date: 2023-05-26 Date of issue: 2023-05-26 Filename: 70133146_eng.pdf

Refer to "General Notes Relating to Pepperl+Fuchs Product Information".

Pepperl+Fuchs Group
www.pepperl-fuchs.comUSA: +1 330 486 0001
fa-info@us.pepperl-fuchs.comGermany: +49 621 776 1111
fa-info@de.pepperl-fuchs.comSingapore: +65 6779 9091
fa-info@sg.pepperl-fuchs.com

PEPPERL+FUCHS

Connection





Connection Assignment



Wire colors in accordance with EN 60947-5-6

- 1 | BN (brown)
- 2 | BU (blue)

Accessories

| | | |
|---|--------------------|------------------------------------|
|  | MHW 01 | Modular mounting bracket |
|  | MH 04-2057B | Mounting aid for VariKont and +U1+ |

Release date: 2023-05-26 Date of issue: 2023-05-26 Filename: 70133146_eng.pdf