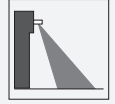




Radar motion sensor ECHO-D white



- Standard radar motion sensor
- Detection of people and objects for automatic doors
- Bidirectional sensing and adjustment of detection field
- Remote control or push button for functionality setting
- Wall and ceiling mountable

Standard radar motion sensor with basic functionality, detection range 2 m x 4.5 m, max. installation height 4 m, white housing, solid-state relay, cable connection



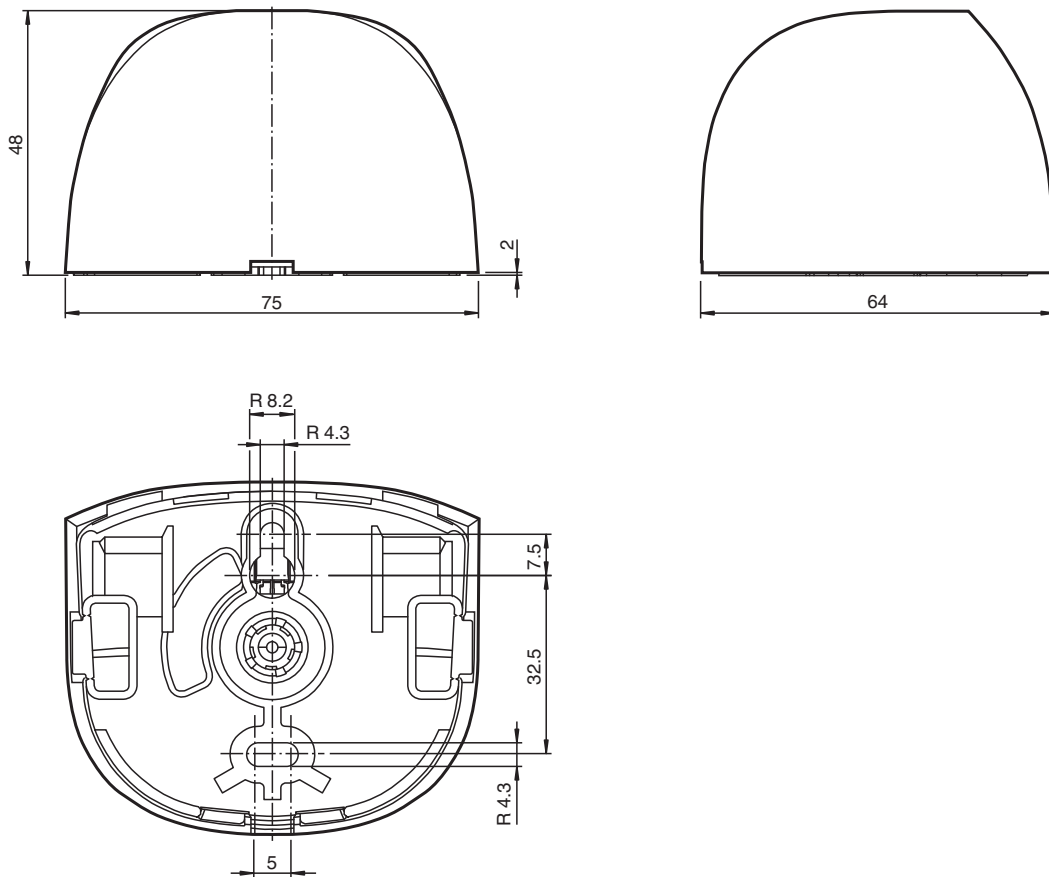
Function

This device is a radar motion sensor with basic functionality. The functionality is based on the 24 GHz radar technology. The basic functionality which can be activated includes among others direction detection, cross-traffic suppression, and immunity. The sensor is integrated in a simple and well-designed housing. The opening impulse sensor is easy to mount and to commission. The built-in antenna enables bidirectional sensing. This version has a wide detection area.

Application

- Opening impulse sensors for automatic doors and industrial doors
- Monitoring approach areas to elevators
- Motion sensors for people and objects
- Impulse sensors for escalators

Dimensions



Technical Data

General specifications	
Sensing range	2000 x 4500 mm (DxW) at 2200 mm mounting height and 30° inclination angle
Function principle	Microwave module
Detection speed	min. 0.05 m/s
Setting angle	
Rotation angle	-40 ... 40 ° in 5 ° increments
Inclination angle	0 ... 90 ° in 5 ° increments
Operating frequency	24.15 ... 24.25 GHz K-Band
Operating mode	Radar motion sensor
Transmitter radiated power (EIRP)	< 20 dBm
Functional safety related parameters	
MTTF _d	
Mission Time (T _M)	20 a
Diagnostic Coverage (DC)	0 %
Indicators/operating means	
Function indicator	detection : LED green push button indication : LED yellow / green
Control elements	Push button for selection of operating modes : sensitivity , direction detection , cross-traffic suppression , slow-motion mode , relay switching type , hold time , immunity
Electrical specifications	
Operating voltage	U _B 12 ... 24 V DC ± 10 %
No-load supply current	I ₀ ≤ 55 mA at 24 V DC
Power consumption	P ₀ ≤ 1.32 W

Release date: 2024-02-23 Date of issue: 2024-02-23 Filename: 70133580_eng.pdf

Refer to "General Notes Relating to Pepperl+Fuchs Product Information".

Pepperl+Fuchs Group
www.pepperl-fuchs.com

USA: +1 330 486 0001
fa-info@us.pepperl-fuchs.com

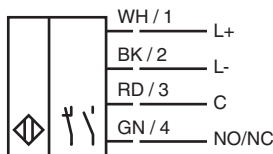
Germany: +49 621 776 1111
fa-info@de.pepperl-fuchs.com

Singapore: +65 6779 9091
fa-info@sg.pepperl-fuchs.com

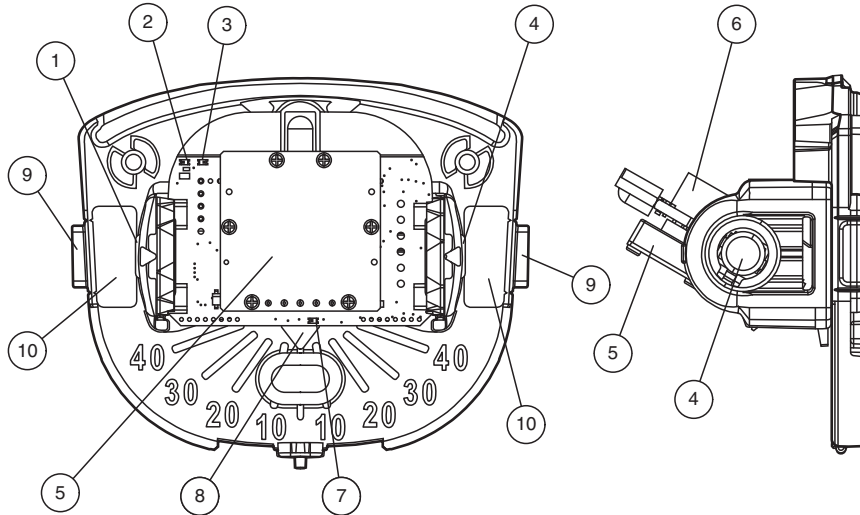
Technical Data

Output		
Switching type		Normally open/closed (NO/NC)
Signal output		solid-state relay
Switching voltage		max. 28 V AC / 36 V DC
Switching current		max. 0.1 A AC / 0.1 A DC
Hold time		1.5 s / 3 s
Approvals and certificates		
CE conformity		2014/53/EU This device can be used in all countries within the European Union. In other countries, all applicable national regulations must be observed.
CCC approval		CCC approval / marking not required for products rated ≤36 V
Ambient conditions		
Operating temperature		-20 ... 55 °C (-4 ... 131 °F)
Storage temperature		-30 ... 70 °C (-22 ... 158 °F)
Relative humidity		max. 90 % non-condensing
Mechanical specifications		
Mounting height		max. 4 m
Degree of protection		IP54
Connection		Connecting cable 2.5 m included with delivery
Material		
Housing		PC (Polycarbonate)
Mass		approx. 70 g
Dimensions		75 mm x 64 mm x 50 mm
Height		64 mm
Width		75 mm
Depth		50 mm

Connection



Assembly



1	Push button, left: -
2	Push button and detection indication: LED green
3	Push button indication: LED yellow
4	Push button, right: +
5	Antenna

6	Connector
7	Detection: LED green
8	Rotation angle
9	Side cable entry (optional)
10	Cable entry (default)

Function Principle

Microwave sensors are microwave scanners that use the principle of the Doppler radar. The most important requirement for microwave detection is that the object to be detected is moving. Some applications include controlling automatic doors and industrial doors.

The microwave sensors emit microwaves of a defined frequency to detect people and large objects moving at speeds between 0.05 m/s ... 2 m/s. Stationary people or objects are not detected.

Based on the latest 24 GHz technology with integrated microprocessor control, these sensors provide a high level of reliability, even in difficult operational conditions. The 24 GHz frequency, known as 'K-band,' is reserved by CETECOM for this application area all round the world.

Release date: 2024-02-23 Date of issue: 2024-02-23 Filename: 70133580_eng.pdf