



Background suppression sensor MLV41-8-H-RT-8827

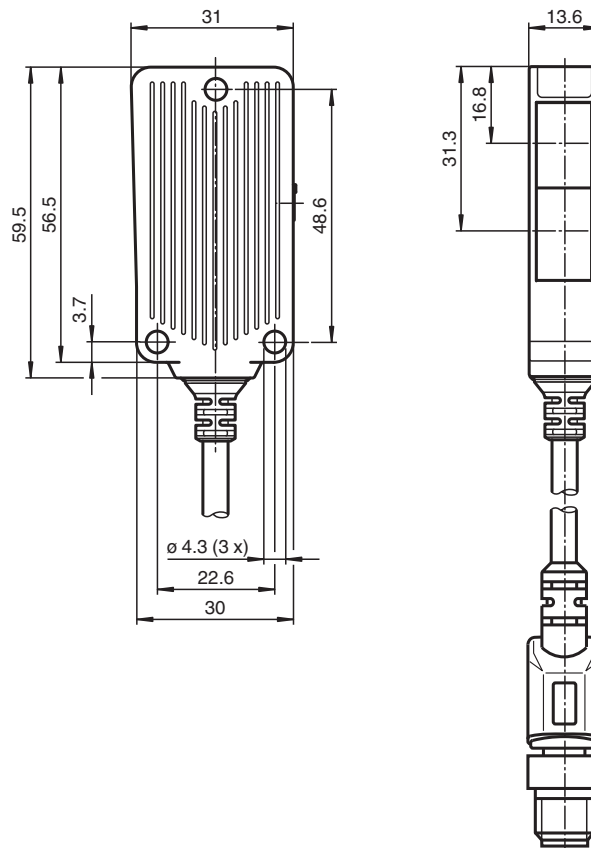


- Safe object detection due to background suppression
- Precise background suppression
- Extremely high switching frequency
- Clearly visible function indicators
- Short circuit and low voltage indicator

Triangulation sensor with background suppression



Dimensions



Technical Data

General specifications

Detection range	fixed ; 40 ... 345 mm ; -25 mm Tolerance
Background suppression	+ 10 % of the upper limit of the detection range

Release date: 2023-03-28 Date of issue: 2023-03-28 Filename: 70134028_eng.pdf

Refer to "General Notes Relating to Pepperl+Fuchs Product Information".

Pepperl+Fuchs Group
www.pepperl-fuchs.com

USA: +1 330 486 0001
fa-info@us.pepperl-fuchs.com

Germany: +49 621 776 1111
fa-info@de.pepperl-fuchs.com

Singapore: +65 6779 9091
fa-info@sg.pepperl-fuchs.com

pf PEPPERL+FUCHS

Technical Data

Light source	LED	
Light type	modulated visible red light , 660 nm	
Black-white difference (6 %/90 %)	< 25 % at 320 mm	
Diameter of the light spot	approx. 8 mm at sensor range 320 mm	
Opening angle	1.5 °	
Ambient light limit	40000 Lux	
Functional safety related parameters		
MTTF _d	1260 a	
Mission Time (T _M)	20 a	
Diagnostic Coverage (DC)	0 %	
Indicators/operating means		
Operation indicator	LED green, statically lit Power on , Undervoltage indicator: Green LED, pulsing (approx. 0.8 Hz) , short-circuit : LED green flashing (approx. 4 Hz)	
Function indicator	2 LEDs yellow ON: object inside the scanning range OFF: object outside the scanning range	
Electrical specifications		
Operating voltage	U _B	10 ... 30 V DC
Ripple		max. 10 %
No-load supply current	I ₀	max. 25 mA
Output		
Signal output	2 push-pull (4 in 1) outputs, complementary, short-circuit proof, reverse polarity protected	
Switching voltage		max. 30 V DC
Switching current		max. 100 mA
Voltage drop	U _d	≤ 2.5 V DC
Switching frequency	f	1000 Hz
Response time		0.5 ms
Conformity		
Product standard	EN 60947-5-2	
Approvals and certificates		
Protection class	II, rated voltage ≤ 50 V AC with pollution degree 1-2 according to IEC 60664-1 , functional insulation acc. to DIN EN 50178	
UL approval	cULus Listed 57M3 (Only in association with UL Class 2 power supply; Type 1 enclosure)	
CCC approval	CCC approval / marking not required for products rated ≤36 V	
Ambient conditions		
Ambient temperature	-40 ... 60 °C (-40 ... 140 °F)	
Storage temperature	-40 ... 75 °C (-40 ... 167 °F)	
Mechanical specifications		
Housing width	31 mm	
Housing height	56.5 mm	
Housing depth	13.6 mm	
Degree of protection	IP67	
Connection	fixed cable 300 mm with M12 connector, 4-pin	
Material		
Housing	Aluminum , Delta-Seal coated	
Optical face	glass pane	
Mass	100 g	

Release date: 2023-03-28 Date of issue: 2023-03-28 Filename: 70134028_eng.pdf

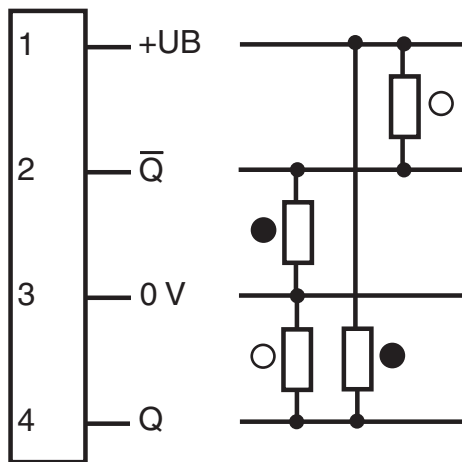
Refer to "General Notes Relating to Pepperl+Fuchs Product Information".

Pepperl+Fuchs Group
www.pepperl-fuchs.comUSA: +1 330 486 0001
fa-info@us.pepperl-fuchs.comGermany: +49 621 776 1111
fa-info@de.pepperl-fuchs.comSingapore: +65 6779 9091
fa-info@sg.pepperl-fuchs.com

PEPPERL+FUCHS

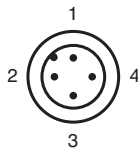
Connection

Option:



- = Light on
- = Dark on

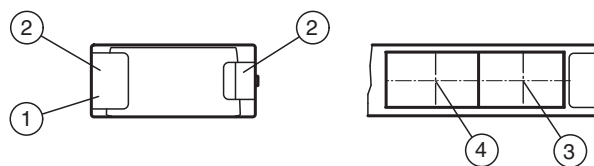
Connection Assignment



Wire colors in accordance with EN 60947-5-2

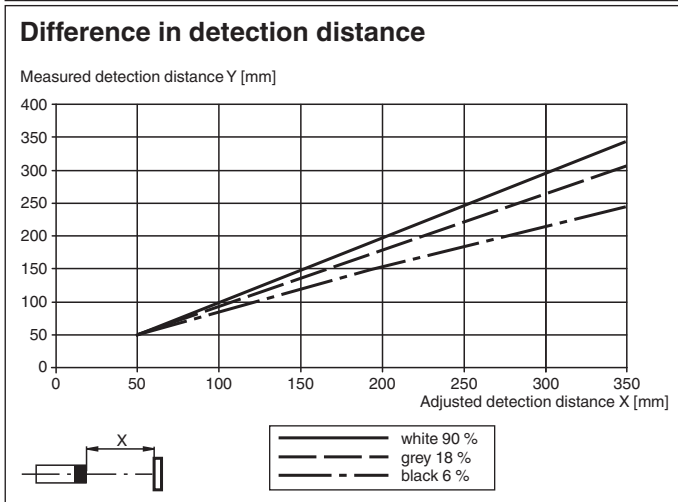
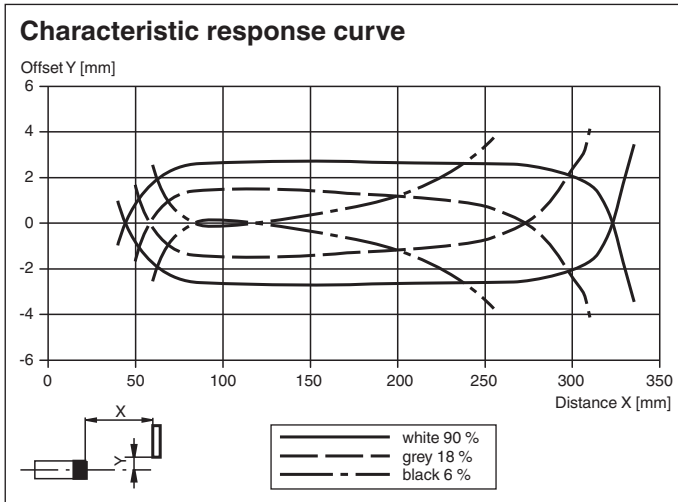
1	BN	(brown)
2	WH	(white)
3	BU	(blue)
4	BK	(black)

Assembly



1	Operating display green	3	Optical axis transmitter
2	Function display yellow	4	Optical axis receiver

Characteristic Curve



Accessories

	OMH-40	Mounting bracket
	OMH-09	Mounting bracket for Sensors series MLV41 for M12 rod mounting

Release date: 2023-03-28 Date of issue: 2023-03-28 Filename: 70134028_eng.pdf