

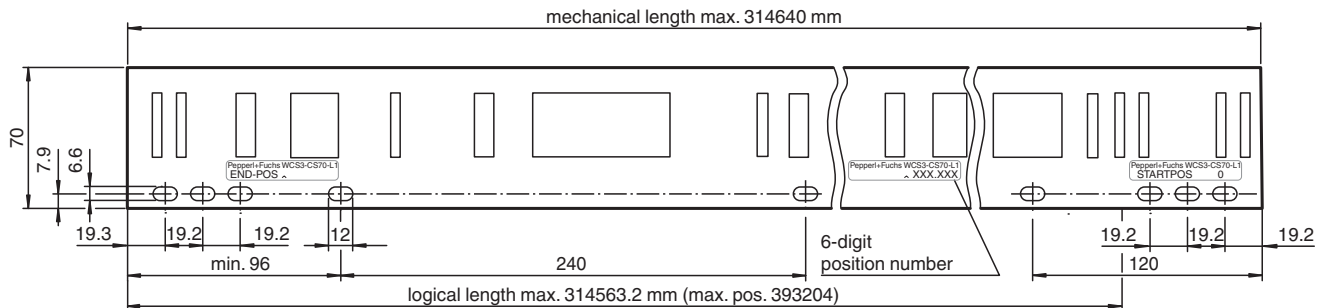
WCS3 code rail

WCS3-CS70-M1-S*****-L*****

- Flexible installation by means of alu profile- or mounting bracket system
- High mechanical stability
- Suitable for applications with wide temperature variations

Code rail, stainless steel

Dimensions



Technical Data

General specifications

| | |
|------------------|---------------------|
| Code rail height | 70 mm |
| Total length | 100 ... 314563.2 mm |
| Start position | 0 ... 314463.2 mm |
| Radius of bend | ≥ 300 mm |

Ambient conditions

| | |
|--------------------------|---------------------------------|
| Operating temperature | -40 ... 100 °C (-40 ... 212 °F) |
| Storage temperature | -40 ... 100 °C (-40 ... 212 °F) |
| Installation temperature | 10 ... 60 °C (50 ... 140 °F) |

Mechanical specifications

| | |
|-------------------------------|-----------------------------------|
| Material thickness | 0.5 mm |
| Tension loading | ≤ 5000 N |
| Material | stainless steel 1.4310 / AISI 301 |
| Thermal expansion coefficient | 1.6 x 10 ⁻⁵ / K |
| Mass | 240 g / m |
| Manufacturing tolerance | ± 1 mm/m |

Release date: 2024-08-23 Date of issue: 2024-08-23 Filename: 70135878_eng.pdf

Refer to "General Notes Relating to Pepperl+Fuchs Product Information".

Pepperl+Fuchs Group
www.pepperl-fuchs.com

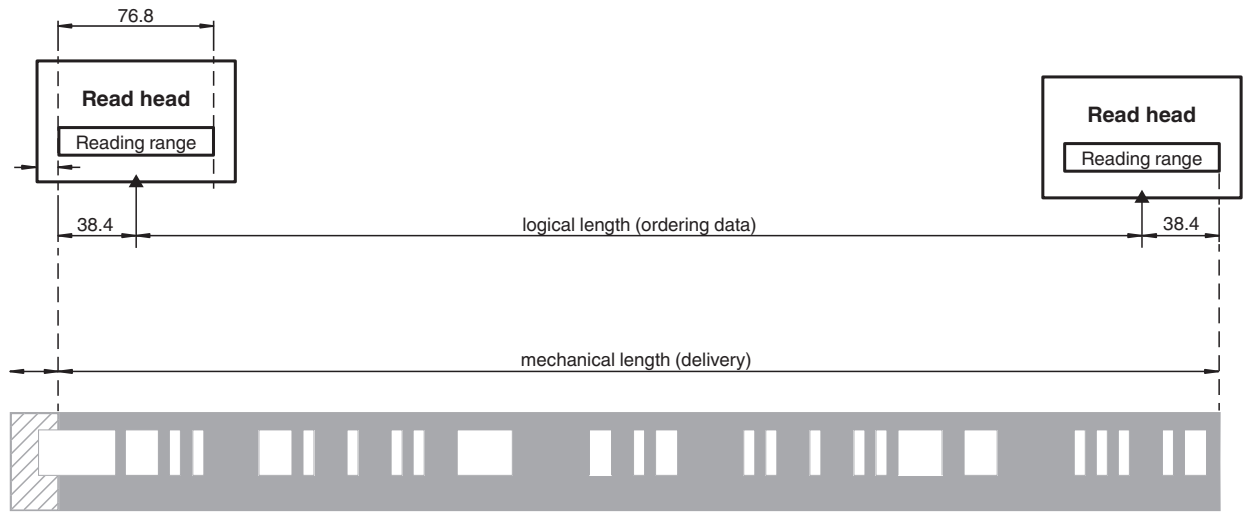
USA: +1 330 486 0001
fa-info@us.pepperl-fuchs.com

Germany: +49 621 776 1111
fa-info@de.pepperl-fuchs.com

Singapore: +65 6779 9091
fa-info@sg.pepperl-fuchs.com

 PEPPERL+FUCHS

Mounting



Automatic length correction:
Code rail is only delivered with
web ends or web beginnings

Type Code

Structure of the type code

| | | | | | | | | | | | | | | | | | | | | | | | | | | |
|---|---|---|---|---|---|---|----|---|---|---|---|---|-----|-----|-----|-----|-----|-----|---|---|-----|-----|-----|-----|-----|-----|
| W | C | S | 3 | - | C | S | 70 | - | M | 1 | - | S | (1) | (1) | (1) | (1) | (1) | (1) | - | L | (2) | (2) | (2) | (2) | (2) | (2) |
|---|---|---|---|---|---|---|----|---|---|---|---|---|-----|-----|-----|-----|-----|-----|---|---|-----|-----|-----|-----|-----|-----|

| | |
|-------------|--------------------------|
| WCS3 | Read head type |
| WCS | Position encoding system |

| | |
|-----------|------------------|
| CS | Code rail |
| C | Code |
| S | Rail |

| | |
|-----------|-------------------------|
| 70 | Code rail height |
| 70 | Code rail height |

| | |
|----------|---------------------------|
| M | Code rail material |
| M | Stainless steel |

| | |
|----------|---------------------------|
| 1 | Mounting hole type |
| 1 | With mounting holes |

| | |
|----------------------------------|--|
| S (1) (1) (1) (1) (1) (1) | Starting position |
| 0 ... 314463 | Starting position of the code rail in mm |

| | |
|----------------------------------|-------------------------------|
| L (2) (2) (2) (2) (2) (2) | Code rail length |
| 100 ... 314563 | Length of the code rail in mm |

Release date: 2024-08-23 Date of issue: 2024-08-23 Filename: 70135878_eng.pdf