



Opening segment and closing segment (kit)

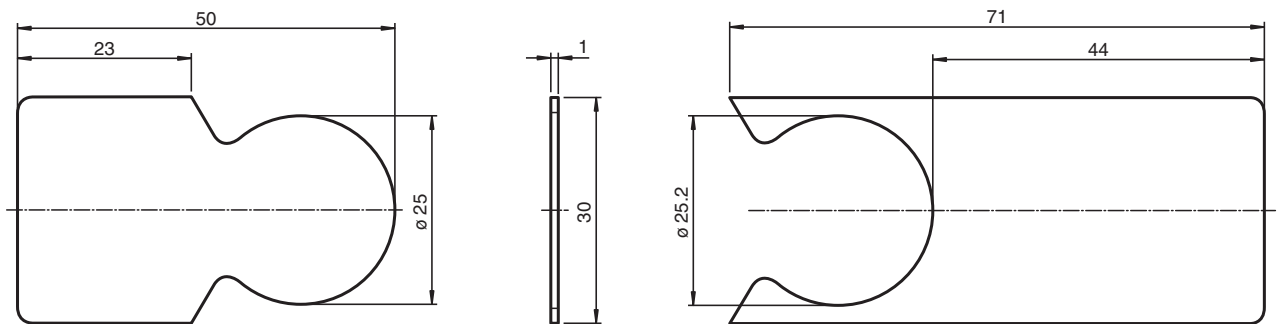
PGV-MG30-START-END-SET

- High temperature resistance
- High mechanical stability
- Easily exchangeable
- Chemically highly resistant

Function

The start and end segment kit is designed as an accessory for the PGV*-CAM* and PXV*-AAM* metal code bars. It provides an additional mounting option at the start and end of the code bar segments. Both metal bars are made of high-quality and rugged aluminum and offer a long service life.

Dimensions



Technical Data

General specifications

Length	Opening segment: 50 mm Closing segment: 71 mm
Width	30 mm

Ambient conditions

Operating temperature	-40 ... 80 °C (-40 ... 176 °F)
Installation temperature	10 ... 40 °C (50 ... 104 °F)
Environmental resistance	UV radiation Humidity
Chemical resistance	Oils Grease Fuels Aliphatic solvents Weak acids

Mechanical specifications

Release date: 2023-02-20 Date of issue: 2023-02-21 Filename: 70137233_eng.pdf

Refer to "General Notes Relating to Pepperl+Fuchs Product Information".

Pepperl+Fuchs Group
www.pepperl-fuchs.com

USA: +1 330 486 0001
fa-info@us.pepperl-fuchs.com

Germany: +49 621 776 1111
fa-info@de.pepperl-fuchs.com

Singapore: +65 6779 9091
fa-info@sg.pepperl-fuchs.com

PF PEPPERL+FUCHS

Technical Data

Material thickness	1 mm
Material	Aluminum

Release date: 2023-02-20 Date of issue: 2023-02-21 Filename: 70137233_eng.pdf

Refer to "General Notes Relating to Pepperl+Fuchs Product Information".

Pepperl+Fuchs Group
www.pepperl-fuchs.com

USA: +1 330 486 0001
fa-info@us.pepperl-fuchs.com

Germany: +49 621 776 1111
fa-info@de.pepperl-fuchs.com

Singapore: +65 6779 9091
fa-info@sg.pepperl-fuchs.com