

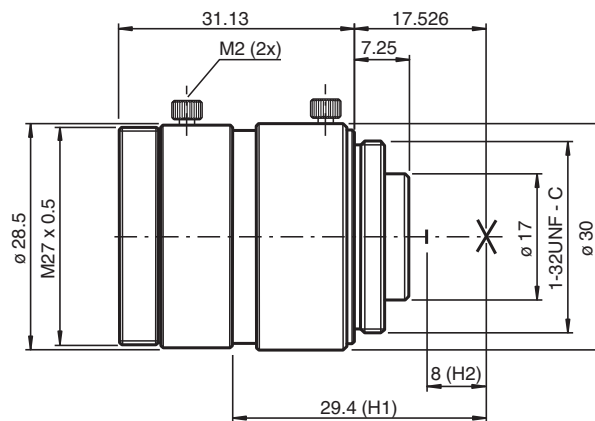


## Accessory camera lens VOS-LE-C-8MM-JC

- Exchangeable lens (C-Mount)
- Focal length 8 mm
- F 1.4-16
- Format 2/3"
- MOD 0.1 m
- C-mount

Fixed focal length lens with locking screws for C-mount cameras

### Dimensions



### Technical Data

#### General specifications

Focal length	8 mm
Format	2/3"
Aperture	F1,4-16
Aperture contro	manually
Horizontal angle of view	64.2 °
Vertical angle of view	47.7 °
Diagonal angle of view	81.3 °
At image format	6.6 x 8.8 mm
MOD (Minimum object distance)	100 mm

#### Ambient conditions

Operating temperature	-10 ... 50 °C (14 ... 122 °F)
Storage temperature	-20 ... 60 °C (-4 ... 140 °F)

#### Mechanical specifications

Housing length	30 mm
Housing diameter	Ø 30 mm
Mass	60 g

Release date: 2021-08-30 Date of issue: 2021-08-30 Filename: 70142259\_eng.pdf

Refer to "General Notes Relating to Pepperl+Fuchs Product Information".

Pepperl+Fuchs Group  
www.pepperl-fuchs.com

USA: +1 330 486 0001  
fa-info@us.pepperl-fuchs.com

Germany: +49 621 776 1111  
fa-info@de.pepperl-fuchs.com

Singapore: +65 6779 9091  
fa-info@sg.pepperl-fuchs.com

**PF** PEPPERL+FUCHS

**Technical Data**

Objective connection	C-mount
Filter thread	M 27 × 0.5

Release date: 2021-08-30 Date of issue: 2021-08-30 Filename: 70142259\_eng.pdf

Refer to "General Notes Relating to Pepperl+Fuchs Product Information".

Pepperl+Fuchs Group  
www.pepperl-fuchs.com

USA: +1 330 486 0001  
fa-info@us.pepperl-fuchs.com

Germany: +49 621 776 1111  
fa-info@de.pepperl-fuchs.com

Singapore: +65 6779 9091  
fa-info@sg.pepperl-fuchs.com