

# Flexible metal conduit

## MEC-VIM8-V4A-4.5

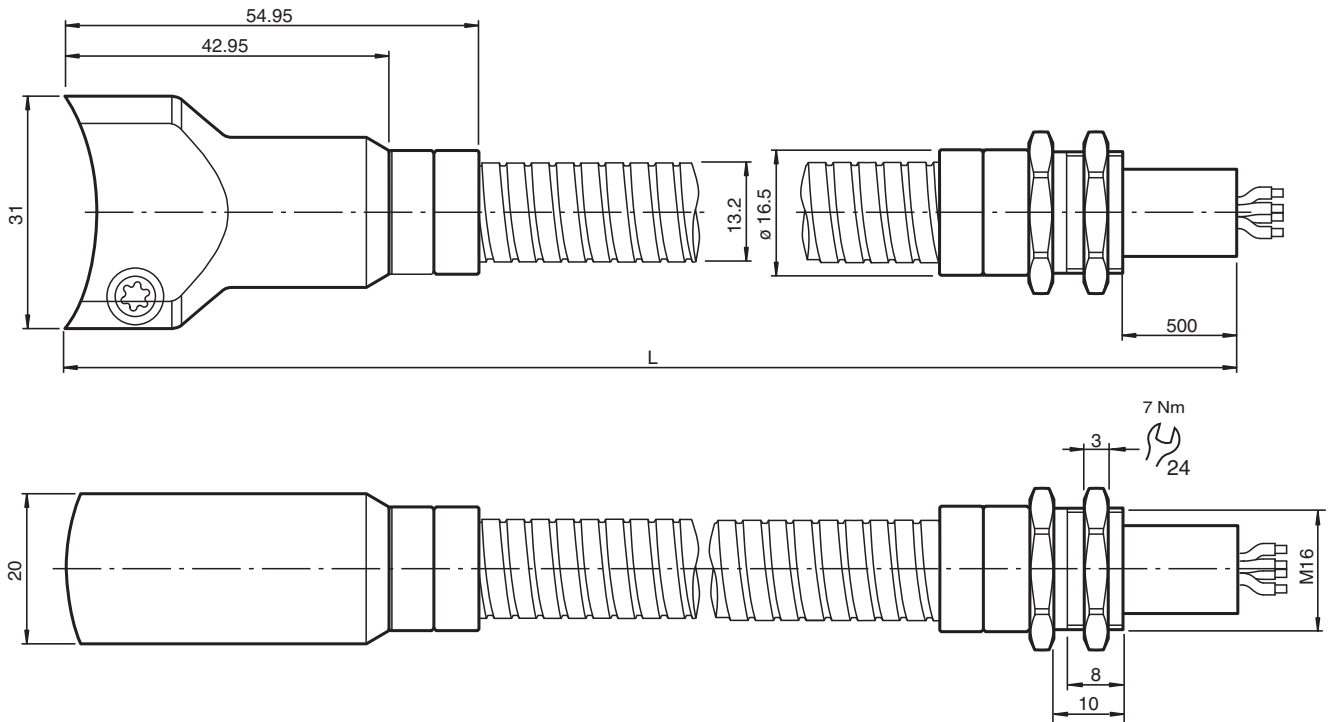


- Protection against contamination and damage
- Stainless steel version

Flexible metal conduit 4.5 m for VIM8 vibration sensors



### Dimensions



### Technical Data

#### General specifications

Suitable components VIM8\* vibration sensors

#### Ambient conditions

Ambient temperature -40 ... 125 °C (-40 ... 257 °F)

#### Mechanical specifications

Cable gland

Thread type

metric

Thread size

M16 x 1.5

Height

20 mm

Width

31 mm

Release date: 2022-11-21 | Date of issue: 2022-11-21 | Filename: 70146300\_eng.pdf

Refer to "General Notes Relating to Pepperl+Fuchs Product Information".

Pepperl+Fuchs Group  
www.pepperl-fuchs.com

USA: +1 330 486 0001  
fa-info@us.pepperl-fuchs.com

Germany: +49 621 776 1111  
fa-info@de.pepperl-fuchs.com

Singapore: +65 6779 9091  
fa-info@sg.pepperl-fuchs.com

**PF** PEPPERL+FUCHS

**Technical Data**

Length	L	4.5 m
Material		
Cable gland		Stainless steel 1.4404 / AISI 316L
Flexible metal conduit		Stainless steel 1.4404 / AISI 316L
Fastener		Stainless steel 1.4401 / AISI 316
Mass		800 g

Release date: 2022-11-21 Date of issue: 2022-11-21 Filename: 70146300\_eng.pdf

Refer to "General Notes Relating to Pepperl+Fuchs Product Information".

Pepperl+Fuchs Group  
www.pepperl-fuchs.comUSA: +1 330 486 0001  
fa-info@us.pepperl-fuchs.comGermany: +49 621 776 1111  
fa-info@de.pepperl-fuchs.comSingapore: +65 6779 9091  
fa-info@sg.pepperl-fuchs.com **PEPPERL+FUCHS**