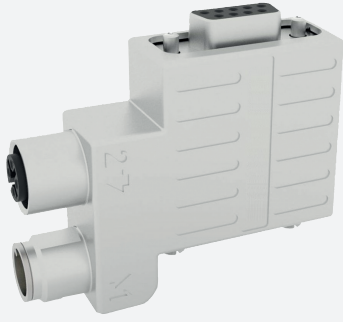


# Adapter M12 x 1 on Sub-D

## SUBD9-W-CAN+TR-V15S/V15

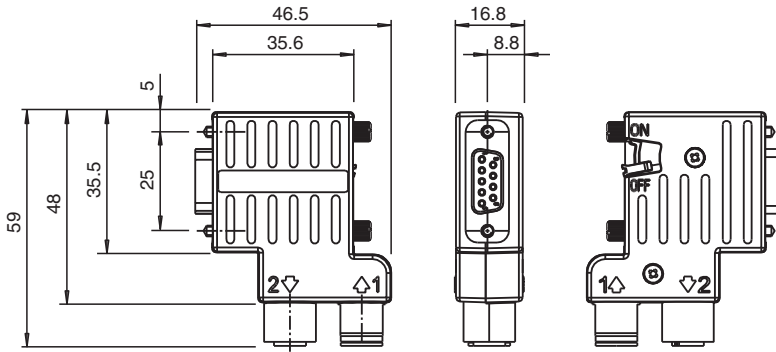


- Plug & Play connection of CAN bus network components
- Transmission rate CAN bus up to 12 MBit/s
- Integrated, switchable bus terminal resistor
- All-round shielding (360°) for full EMC protection
- Degree of protection IP20

Adapter Sub-D straight 9-pin to M12 plug / M12 socket straight A-coded 4-pin



### Dimensions



### Technical Data

#### General specifications

Connector 1	
Connection	plug
Construction type	M12
Style	straight
Locking	screw connection
Number of pins	5
Coding	A-coded
Connector 2	
Connection	socket
Construction type	M12
Style	straight
Locking	screw connection
Number of pins	5
Coding	A-coded
Connector 3	
Connection	socket

Release date: 2023-11-17 Date of issue: 2023-11-17 Filename: 70147380\_eng.pdf

Refer to "General Notes Relating to Pepperl+Fuchs Product Information".

Pepperl+Fuchs Group  
www.pepperl-fuchs.com

USA: +1 330 486 0001  
fa-info@us.pepperl-fuchs.com

Germany: +49 621 776 1111  
fa-info@de.pepperl-fuchs.com

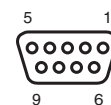
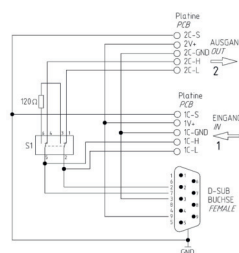
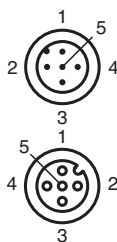
Singapore: +65 6779 9091  
fa-info@sg.pepperl-fuchs.com

PEPPERL+FUCHS

## Technical Data

Construction type	Sub-D		
Style		straight	
Locking		screw connection	
Number of pins		9	
<b>Electrical specifications</b>			
Operating voltage	U <sub>B</sub>	24 V DC	
Operating current	I <sub>B</sub>	max. 4 A	
<b>Conformity</b>			
Degree of protection		EN 60529	
Fieldbus standard		CAN bus 12 MBit/s	
Plug connection		connector M12 x 1 : IEC 61076-2-101 Connector Sub-D : IEC 807-2	
<b>Ambient conditions</b>			
Ambient temperature		-20 ... 70 °C (-4 ... 158 °F)	
Relative humidity		max. 75 % at 25 °C non-condensing	
Pollution degree		2	
<b>Mechanical specifications</b>			
Plug connector			
Mating cycles		min. 200	
Connector 1			
Tightening torque		0.6 Nm	
Connector 2			
Tightening torque		0.6 Nm	
Connector 3			
Tightening torque		0.3 Nm	
Loosening protection		screws UNC 4-40	
Degree of protection		IP20	
<b>Material</b>			
Plug connector			
Body		Zn alloy	
<b>General information</b>			
Note		Switchable terminal resistor according to CAN bus specification	

## Connection Assignment



Release date: 2023-11-17 Date of issue: 2023-11-17 Filename: 70147380\_eng.pdf