

# Push button box

## ICA-F85E2-MC-IO-V1

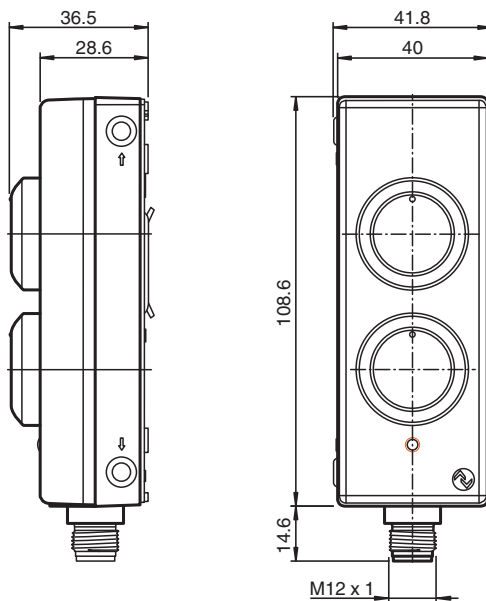


- IO-Link interface
- IO-Link Class A
- M12 plug connection
- Two buttons, RGB illumination, freely programmable
- Programmable night mode and flashing mode

Programmable push button box with IO-Link interface



### Dimensions



### Technical Data

#### General specifications

UL File Number E198304

#### Indicators/operating means

Button Two buttons, RGB illumination, freely programmable

#### Electrical specifications

Rated operating voltage  $U_e$  18 ... 30 V

Operating current  $I_B$  ≤ 100 mA

Protection class III

Nominal voltage 24 V

#### Interface

Release date: 2024-02-02 Date of issue: 2024-02-02 Filename: 70148369\_eng.pdf

Refer to "General Notes Relating to Pepperl+Fuchs Product Information".

Pepperl+Fuchs Group  
www.pepperl-fuchs.com

USA: +1 330 486 0001  
fa-info@us.pepperl-fuchs.com

Germany: +49 621 776 1111  
fa-info@de.pepperl-fuchs.com

Singapore: +65 6779 9091  
fa-info@sg.pepperl-fuchs.com

**PF** PEPPERL+FUCHS

**Technical Data**

|                             |  |
|-----------------------------|--|
| Interface type              | IO-Link ( via C/Q = pin 4 )  |
| IO-Link revision            | 1.1  |
| Device profile              | Identification and Diagnosis - I&D<br>Firmware update  |
| Process data                | Input: 8 bit<br>- Input signals: 2 bit<br>- Diagnostic signals: 1 bit<br>Output: 16 bit<br>- Control signals: 6 bit<br>- Control values: 6 bit |
| Vendor ID                   | 1 (0x0001)   |
| Device ID                   | 985089 (0x0F0801)  |
| Transfer rate               | COM2 (38.4 kBit/s)   |
| Min. cycle time             | 5 ms   |
| SIO mode support            | no   |
| Compatible master port type | Class A , Class B  |

**Directive conformity**

|                               |  |
|-------------------------------|--|
| Electromagnetic compatibility |  |
| Directive 2014/30/EU          | DIN EN 61000-6-2<br>DIN EN 61000-6-3<br>DIN EN 61131-9 |

**Standard conformity**

|                         |                                 |
|-------------------------|---------------------------------|
| Degree of protection    | DIN EN 60529                    |
| Pollution degree        | DIN EN 61010-1                  |
| Communication interface | DIN EN 61131-9 / IO-Link V1.1.2 |
| Shock resistance        | IEC 60068-2-27                  |
| Vibration resistance    | IEC 60068-2-6                   |

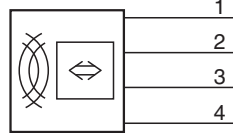
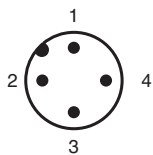
**Ambient conditions**

|                             |   |
|-----------------------------|---|
| Ambient temperature         | -30 ... 60 °C (-22 ... 140 °F)                    |
| Storage temperature         | -40 ... 80 °C (-40 ... 176 °F)                    |
| Shock and impact resistance | 50 g, 11 ms, half sine wave<br>5 g, 10 ... 500 Hz |
| Pollution degree            | 2   |

**Mechanical specifications**

|                      |                                   |
|----------------------|-----------------------------------|
| Degree of protection | IP65                              |
| Connection           | M12 x 1 connector, 4-pin, A-coded |
| Mass                 | 121 g                             |
| Dimensions           |                                   |
| Height               | 35.6 mm                           |
| Width                | 40 mm                             |
| Length               | 123.3 mm                          |

**Connection**



1 L+  
2 n.c.  
3 L-  
4 C/Q

Release date: 2024-02-02 Date of issue: 2024-02-02 Filename: 70148369\_eng.pdf

Refer to "General Notes Relating to Pepperl+Fuchs Product Information".