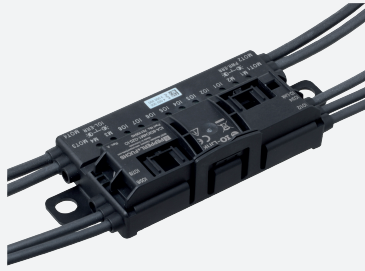


# I/O hub IO-Link

## ICA-16IO-G20-IO-P16



- 16 digital inputs/outputs can be configured
- Configuration and control via IO-Link
- IO-Link Class A
- LED for switching state and fault indication
- Supply from IO-Link
- IO-Link 1.1.3

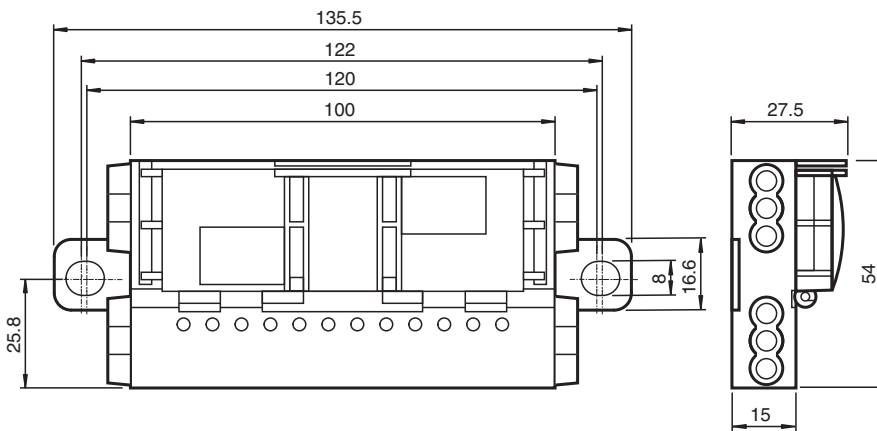
G20 IO-Link module for 16 freely configurable digital inputs/outputs



### Function

The ICA-16IO-G20-IO-P16 is an IO-Link field module with 16 freely configurable digital inputs/outputs. The compact housing can be mounted directly in support profiles or cable ducts. The module and the inputs and outputs are supplied with voltage via IO-Link. The inputs and outputs are connected via cable outlets with 4-pin M8 sockets. IO-Link is connected via a cable outlet with 4-pin M12 connector. The current switching state or an overload of the inputs or outputs is indicated via the IN or OUT LEDs.

### Dimensions



### Technical Data

General specifications			
MTBF			149 a
Indicators/operating means			
LED green		<--, -->	IO1..8 / IO9..16 bank indication
LED yellow/red			IO1 ... IO16: inputs/outputs status, IO-Link status
Electrical specifications			
Operating voltage	U <sub>B</sub>	18 ... 30 V DC, PELV	Current limitation of the supply max. 4 A
No-load supply current	I <sub>0</sub>	≤ 25 mA	
Operating current	I <sub>B</sub>	max. 4 A	
Interface			
Interface type			IO-Link
IO-Link revision			1.1

Release date: 2024-04-30 Date of issue: 2024-04-30 Filename: 70149090\_eng.pdf

Refer to "General Notes Relating to Pepperl+Fuchs Product Information".

Pepperl+Fuchs Group  
www.pepperl-fuchs.com

USA: +1 330 486 0001  
fa-info@us.pepperl-fuchs.com

Germany: +49 621 776 1111  
fa-info@de.pepperl-fuchs.com

Singapore: +65 6779 9091  
fa-info@sg.pepperl-fuchs.com

**PF** PEPPERL+FUCHS

## Technical Data

Device profile	Identification and Diagnosis - I&D
Process data	Inputs 3 Byte - Input signals 16 Bit - diagnosis signals 5 Bit Outputs 2 Byte - Output signals 16 Bit
Vendor ID	1 (0x0001)
Device ID	985345 (0x0F0901)
Data transfer rate	COM3 (230.4 kbits/s)
Min. cycle time	1 ms
SIO mode support	no
Compatible master port type	Class A
<b>Input</b>	
Number/Type	16 Inputs for 3-wire sensors (PNP), DC (IO1 ... IO16)
Supply	from IO-Link
Current loading capacity	200 mA , overload and short-circuit protected
Input current	≤ 5 mA (limited internally)
Switching point	Type 3 according to IEC 61131-2
<b>Output</b>	
Number/Type	16 electronic outputs, PNP (IO1 ... IO16), overload-proof and short-circuit-proof
Supply	from IO-Link
Voltage	≥ (U <sub>B</sub> - 1.5 V)
Current	200 mA per output
<b>Directive conformity</b>	
Electromagnetic compatibility	
Directive 2014/30/EU	EN 61326-1:2013 EN 55011:2016
<b>Conformity</b>	
Communication interface	IEC 61131-9:2013
<b>Standard conformity</b>	
Degree of protection	EN 60529:2000
Fieldbus standard	EN 61131-9:2013
Input	EN 61131-2:2007
Communication interface	IEC 61131-9 / IO-Link V1.1.3
Emitted interference	EN 61000-6-4:2007
Noise immunity	EN 61000-6-2:2005, EN 61326-1:2006
<b>Ambient conditions</b>	
Ambient temperature	-30 ... 70 °C (-22 ... 158 °F)
Storage temperature	-30 ... 70 °C (-22 ... 158 °F)
Relative humidity	85 % non-condensing
Climatic conditions	For indoor use only
Altitude	≤ 5000 m above MSL
Shock and impact resistance	30 g, 11 ms in 6 spatial directions, 3 shocks 10 g, 16 ms in 6 spatial directions, 1000 shocks
Vibration resistance	0.35 mm / 5 g 5 ... 500 Hz
Pollution degree	2
<b>Mechanical specifications</b>	
Degree of protection	IP54 according to EN 60529
Connection	<b>IO-Link:</b> M12 round plug connector in accordance with EN 61076-2-101, LM type (4-pin, connector contacts, screw-locking, A-coded) Female connector: LF type or similar <b>IO:</b> M8 round plug connector in accordance with EN 61076-2-104, LF type (4-pin, bushing contacts, screw-locking, A-coded) Mating connector: LM type or similar
Mass	310 g

Release date: 2024-04-30 Date of issue: 2024-04-30 Filename: 70149090\_eng.pdf

Refer to "General Notes Relating to Pepperl+Fuchs Product Information".

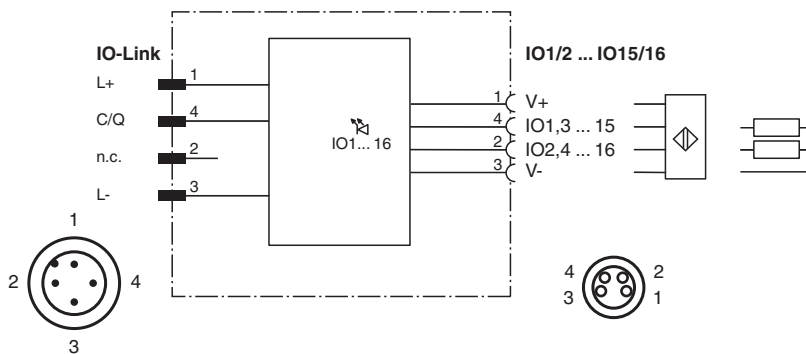
Pepperl+Fuchs Group  
www.pepperl-fuchs.comUSA: +1 330 486 0001  
fa-info@us.pepperl-fuchs.comGermany: +49 621 776 1111  
fa-info@de.pepperl-fuchs.comSingapore: +65 6779 9091  
fa-info@sg.pepperl-fuchs.com

**PEPPERL+FUCHS**

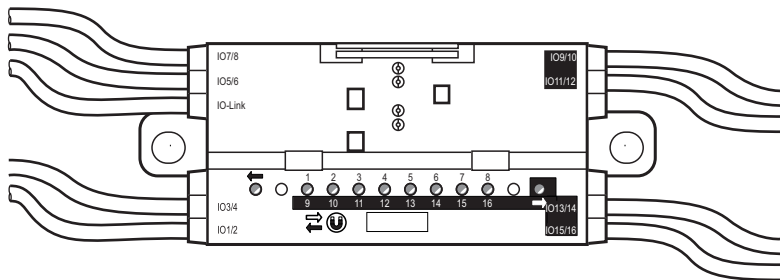
### Technical Data

Dimensions	
Height	27.5 mm
Width	131.5 mm
Length	54 mm
Mounting	2 clips with $\varnothing$ 8 mm drill hole The module must be secured to a solid, continuous surface using the two lugs
Cable length	1 m (IO-Link) 0.2 m (IO1/2, IO15/16), 0.3 m (IO3/4, IO13/14) 0.4 m (IO5/6, IO11/12); 0.5 m (IO7/8, IO9/10) max. 10 m

### Connection Assignment



### Indication



Release date: 2024-04-30 Date of issue: 2024-04-30 Filename: 70149090\_eng.pdf