

AS-Interface sensor/actuator module VBA-2E2A-G10-ZEJXE2J-1M-2V1-G

- Ultra-compact enclosure
- Gold-plated and machined contacts
- One piece housing
- Degree of protection IP68 / IP69K
- Direct connection via cable outlet

G10 ultra compact module, 2 inputs, 2 outputs



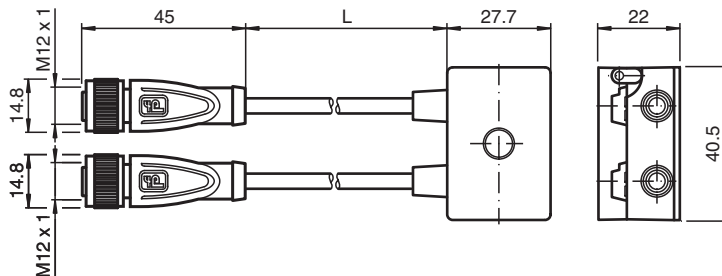
Function

The AS-Interface G10 ultra-compact module is suitable for the remote connection of mech. switches and actuators within very limited space. The one-piece enclosure has the protection degree IP68/IP69K.

The AS-Interface flat cable is contacted via pointy, gold-plated contact pins. The exact location of the pins on the lead is ensured by the swivel mechanism.

Mech. switches and actuators are connected to the module via M12 sockets. Multiple LEDs indicate the current status of the AS-Interface strand and are used for diagnosis

Dimensions



Technical Data

General specifications

Node type	A/B node
AS-Interface specification	V3.0
Required gateway specification	V3.0
Profile	S-7.A.7
IO code	7
ID code	A
ID1 code	7
ID2 code	7
UL File Number	E223772 "For use in NFPA 79 Applications only"

Indicators/operating means

Release date: 2023-03-28 Date of issue: 2023-03-28 Filename: 70149635_eng.pdf

Refer to "General Notes Relating to Pepperl+Fuchs Product Information".

Pepperl+Fuchs Group
www.pepperl-fuchs.com

USA: +1 330 486 0001
fa-info@us.pepperl-fuchs.com

Germany: +49 621 776 1111
fa-info@de.pepperl-fuchs.com

Singapore: +65 6779 9091
fa-info@sg.pepperl-fuchs.com

 PEPPERL+FUCHS

Technical Data

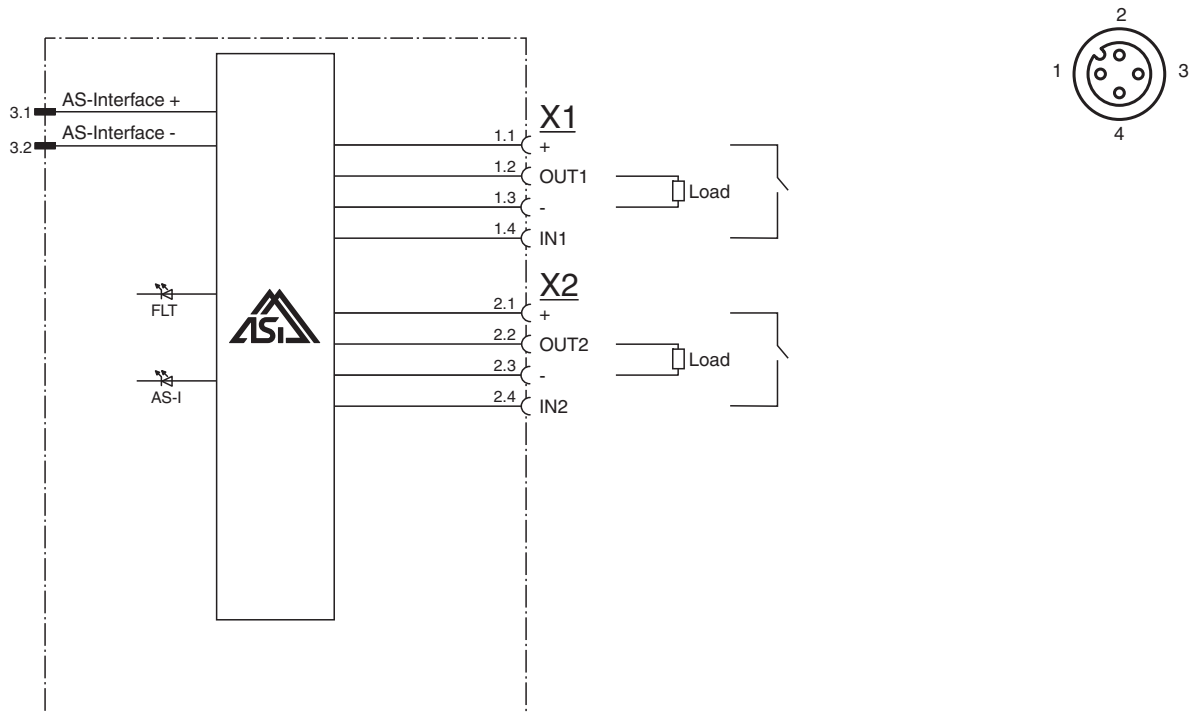
LED FAULT		error display; LED red red: communication error or address is 0 red flashing: overload of sensor power supply or outputs
LED AS-i		AS-Interface voltage; LED green
Electrical specifications		
Rated operating voltage	U_e	18.5 ... 31.6 V from AS-Interface
Rated operating current	I_e	≤ 40 mA (without inputs/outputs) / max. 200 mA
Protection class		III
Surge protection		U_e : Over voltage category III, safe isolated power supplies (PELV)
Input		
Number/Type		2 inputs for 2- or 3-wire sensors (PNP), DC
Supply		from AS-Interface
Voltage		≤ U_e
Current loading capacity		≤ 150 mA Total current , overload and short-circuit protected
Input current		≤ 8 mA (limited internally)
Switching point		
0 (unattenuated)		≤ 0.5 mA
1 (attenuated)		≥ 2 mA
Signal delay		< 1 ms (input/AS-Interface)
Output		
Number/Type		2 electronic outputs, PNP, overload and short-circuit proof
Supply		from AS-Interface
Voltage		≥ (U_e - 9.0 V)
Current loading capacity		≤ 150 mA Total current , overload and short-circuit protected
Directive conformity		
Electromagnetic compatibility		
Directive 2014/30/EU		EN 62026-2:2013
Standard conformity		
Degree of protection		EN 60529:2000
Fieldbus standard		EN 62026-2:2013
Emitted interference		EN 61000-6-4:2011
AS-Interface		EN 62026-2:2013
Noise immunity		EN 61000-6-2:2005 , EN 62026-2:2013
Approvals and certificates		
UL approval		cULus Listed, Type 1 enclosure
Maximum permissible ambient temperature		max. 65 °C (max. 149 °F)
Ambient conditions		
Ambient temperature		-25 ... 70 °C (-13 ... 158 °F)
Storage temperature		-40 ... 85 °C (-40 ... 185 °F)
Shock and impact resistance		30 g, 11 ms in 6 spatial directions 3 shocks 10 g, 16 ms in 6 spatial directions 1000 shocks
Vibration resistance		0.75 mm 10 ... 57 Hz , 5 g 57 ... 150 Hz, 20 cycles
Mechanical specifications		
Degree of protection		housing: IP67 IP67 / IP68 / IP69K with flat cable VAZ-FK-S* M12 socket: IP67/IP68/IP69K
Connection		AS-Interface: AS-Interface flat cable In-/outputs & matching connector: X1 & X2, M12 plug, 4-pin, A-coded, in accordance with IEC 61076-2-101:2012
Material		
Contacts		CuSn / Au
Housing		PBT PC
Body		PUR, black
Cable		PUR
Mounting screw		Stainless steel 1.4305 / AISI 303
Cable		

Release date: 2023-03-28 Date of issue: 2023-03-28 Filename: 70149635_eng.pdf

Technical Data

Sheath diameter		Ø4,3 mm
Color		black
Cores		4 x 0.34 mm ²
Length	L	1 m
Mass		100 g
Tightening torque, fastening screws		1.65 Nm
Tightening torque, cable gland		0.4 Nm

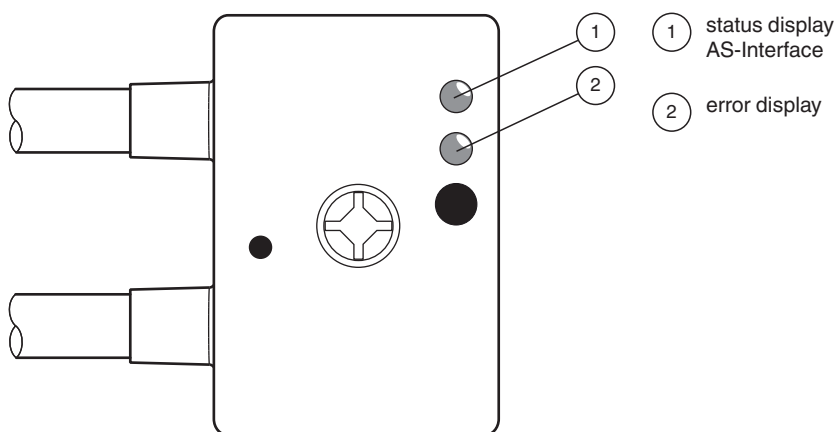
Connection Assignment



Connection

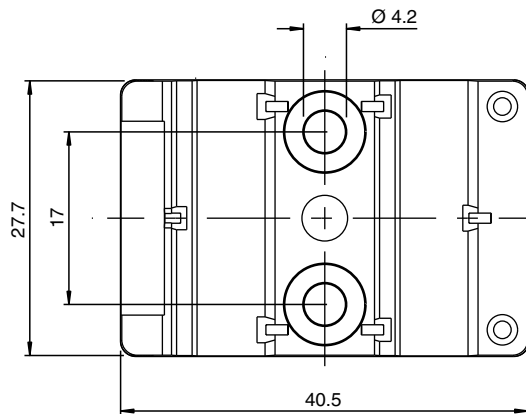
Do not connect inputs and outputs, which are supplied via the module from AS-interface or via auxiliary power, with power supply and signal circuits with external potentials.

Indication



Release date: 2023-03-28 Date of issue: 2023-03-28 Filename: 70149635_eng.pdf

Mounting



You may screw the device onto a level mounting surface using two M4 attachment screws. The attachment screws are not included.

Programming

Data bits

(function via AS-Interface)

Data bit	Input	Output
D0	IN1	OUT1
D1	IN2	OUT2
D2	IN1	OUT1
D3	IN2	OUT2


Parameter bits

(programmable via AS-Interface)

Parameter bit	Function
P0	Communication monitoring P0=0 monitoring off, the outputs maintain the status if communication fails P0=1 monitoring on, if communication fails, the outputs are deenergised, default setting
P1	Input filter P1=0 input filter on, pulse suppression ≤ 2 ms P1=1 input filter off, default setting
P2	Synchronous mode P2=0 Synchronous mode on P2=1 Synchronous mode off, default setting
P3	not used

Programming

Accessories

	VAZ-PK-FK-0,2M-V1-W	Adapter cable G10 module/hand-held programming device
---	----------------------------	---