



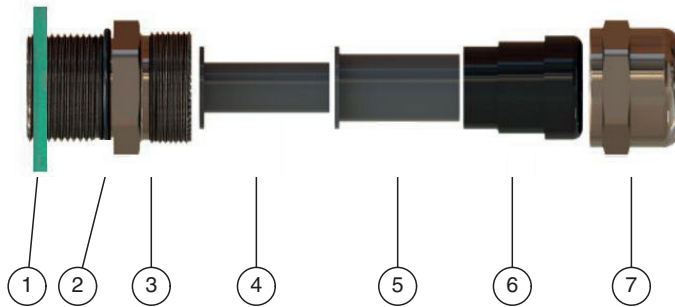
## Cable Glands, Metal, for non-armored Cables

### CG.NA.M25S.SS.S.16.K25

- For cables without armor
- Stainless Steel
- Thread M25
- Seal silicone
- Ex db, Ex eb and Ex tb certified
- Suitable for operation in Zone 1, Zone 2, Zone 21 and Zone 22
- Suitable for operation in Class I, Zone 1/2/22
- Suitable for operation in Class I, Division 2 when installed in accordance with NEC501.10(B)(2)
- Degree of protection IP66 / IP68, UL Type 4X
- Packaging unit: 25 pieces, without accessories



### Dimensions



Release date: 2022-10-13 Date of issue: 2022-10-13 Filename: 70149758\_eng.pdf

Refer to "General Notes Relating to Pepperl+Fuchs Product Information".

Pepperl+Fuchs Group  
www.pepperl-fuchs.com

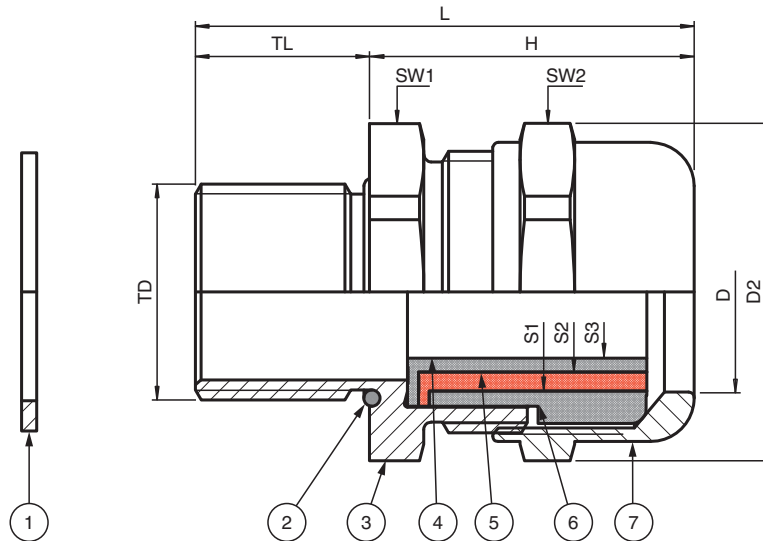
USA: +1 330 486 0002  
pa-info@us.pepperl-fuchs.com

Germany: +49 621 776 2222  
pa-info@de.pepperl-fuchs.com

Singapore: +65 6779 9091  
pa-info@sg.pepperl-fuchs.com

**PF** PEPPERL+FUCHS

**Dimensions**



Details see data table

Legend	
1	Washer gasket (accessory)
2	O-Ring
3	Gland body basis
4	Seal insert S3
5	Seal insert S2
6	Seal insert S1
7	Cap nut
D	Clamping range, cable sheath diameter
D2	Width across corners
H	Length outside enclosure
L	Total length
S*	Clamping range, seal insert combinations
SW*	Width across flats
TD	Thread size
TL	Thread length

Release date: 2022-10-13 Date of issue: 2022-10-13 Filename: 70149758\_eng.pdf

**Technical Data**

**Mechanical specifications**

Refer to "General Notes Relating to Pepperl+Fuchs Product Information".

## Technical Data

Cable type	non-armored cables
Clamping range (D)	10 ... 18 mm
Seal combination S1	14.5 ... 18 mm
Seal combination S1+S2	12 ... 14.5 mm
Seal combination S1+S2+S3	10 ... 12 mm
Thread type	metric ISO pitch 1.5 mm
Thread size (TD)	M25
Degree of protection	IP66 / IP68 , UL Type 4X
<b>Material</b>	
Finish	inherent color silver
Cable gland	stainless steel
Washer gasket	aramid fibers bonded with NBR
O-Ring	silicone
Seal insert	silicone
<b>Mass</b>	
Individual component	approx. 75 g
Packing unit	approx. 2.06 kg
<b>Dimensions</b>	
Width across corners (D2)	31 mm
Diameter thru-hole (DT)	25 ... 25.2 mm
Length outside enclosure (H)	32.5 mm
Width across flats (SW1)	28 mm
Width across flats (SW2)	28 mm
Thread length (TL)	16 mm
Total length (L)	48.5 mm
<b>Tightening torque</b>	
Nut torque at enclosure (SW1)	6 Nm
Nut torque 2 with seal S1 (SW2)	18 Nm
Nut torque 2 with seals S1+S2 (SW2)	22 Nm
Nut torque 2 with seals S1+S2+S3 (SW2)	25 Nm
<b>Ambient conditions</b>	
Ambient temperature	Ex eb and Ex tb versions: -60 ... 140 °C (-76 ... 284 °F) Ex db versions: -60 ... 80 °C (-76 ... 176 °F) washer gasket: -50 ... 80 °C (-58 ... 176 °F)
<b>Data for application in connection with hazardous areas</b>	
EU-type examination certificate	IMQ 14 ATEX 012X
Marking	Ⓜ II 2 GD Ex db IIC Gb Ex eb IIC Gb Ex tb IIIC Db
<b>International approvals</b>	
<b>UL approval</b>	
cULus	E490324 tested to UL 514B E490962 tested to UL 2225 CSA 60079-7 , CSA 60079-31
IECEx approval	IECEx IMQ 14.0004X
UKCA approval	CML 21 UKEX 11380X
INMETRO approval	DNV 20.0029 X
EAC approval	RU C-DE.AA87.B.00459/20
CCC approval	2021312313000344
<b>Conformity</b>	
Degree of protection	EN 60529
<b>General information</b>	
Delivery quantity	25
Scope of delivery	Cable gland brief instructions (1 copy)

Release date: 2022-10-13 Date of issue: 2022-10-13 Filename: 70149758\_eng.pdf

Refer to "General Notes Relating to Pepperl+Fuchs Product Information".

Pepperl+Fuchs Group  
www.pepperl-fuchs.comUSA: +1 330 486 0002  
pa-info@us.pepperl-fuchs.comGermany: +49 621 776 2222  
pa-info@de.pepperl-fuchs.comSingapore: +65 6779 9091  
pa-info@sg.pepperl-fuchs.com

**PEPPERL+FUCHS**

**Technical Data**

Supplementary information

EC-Type Examination Certificate, Statement of Conformity, Declaration of Conformity, Attestation of Conformity and instructions have to be observed where applicable. For information see [www.pepperl-fuchs.com](http://www.pepperl-fuchs.com).**Accessories**

Sealing plugs

BP.NA.M20-M25S.PA

Release date: 2022-10-13 Date of issue: 2022-10-13 Filename: 70149758\_eng.pdf

Refer to "General Notes Relating to Pepperl+Fuchs Product Information".

Pepperl+Fuchs Group  
[www.pepperl-fuchs.com](http://www.pepperl-fuchs.com)USA: +1 330 486 0002  
[pa-info@us.pepperl-fuchs.com](mailto:pa-info@us.pepperl-fuchs.com)Germany: +49 621 776 2222  
[pa-info@de.pepperl-fuchs.com](mailto:pa-info@de.pepperl-fuchs.com)Singapore: +65 6779 9091  
[pa-info@sg.pepperl-fuchs.com](mailto:pa-info@sg.pepperl-fuchs.com) **PEPPERL+FUCHS**