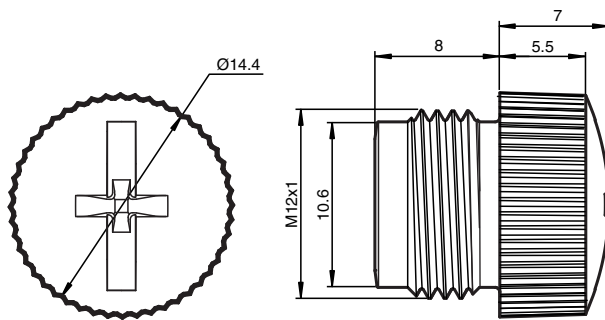




Blind plug  
VAZ-V1-B3L

Blind plug for M12 sockets

## Dimensions





## Technical Data

### Mechanical specifications

Protection class	With this blind plug a specified IP protection of up to IP68/69K of a device can be achieved.
Connection	M12 x 1
Material	PA66 GF25, UL94V0
Installation	Phillips screwdriver H3, size 3 Flat-head screwdriver 1.2 x 8 or 1.6 x 10 Knurling tool MH V1-BIT M12
Tightening torque, fastening screws	0.4 Nm
Note	Also suitable for L-coded sockets.

## Accessories

	<b>MH V1-BIT M12</b>	plug-in cap M12
	<b>MH V1-SCREWDRIVER</b>	torque screwdriver (0.6 Nm)

Release date: 2022-03-21 Date of issue: 2022-03-23 Filename: 70150256\_eng.pdf

Refer to "General Notes Relating to Pepperl+Fuchs Product Information".

Pepperl+Fuchs Group  
www.pepperl-fuchs.com

USA: +1 330 486 0001  
fa-info@us.pepperl-fuchs.com

Germany: +49 621 776 1111  
fa-info@de.pepperl-fuchs.com

Singapore: +65 6779 9091  
fa-info@sg.pepperl-fuchs.com

 **PEPPERL+FUCHS**