

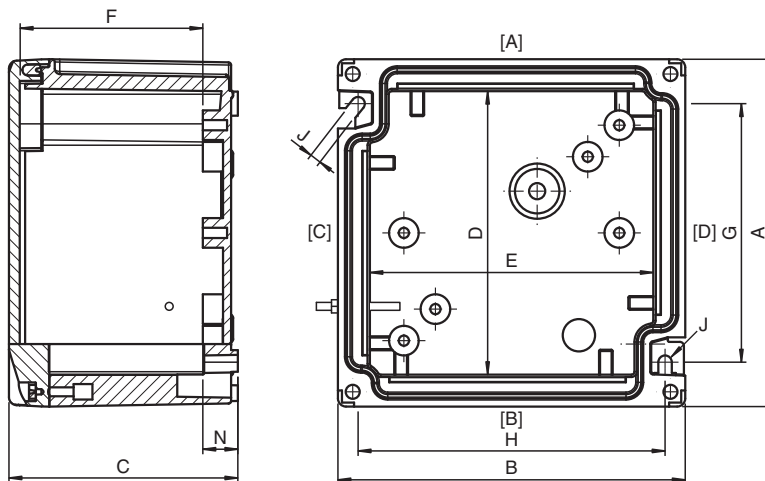
Junction Box Ex e, Glass-Fiber Reinforced Polyester (GRP)

GR.TJE.10.10.07.B-S0003

- Carbon loaded, antistatic glass-fiber reinforced polyester
- Installation in Zone 1, Zone 2, Zone 21 and Zone 22
- Ex e and Ex tb certified
- 99 mm x 99 mm x 65 mm
- Modern design with high impact resistance
- Easy installation due to easily accessible mounting points
- Easy cover opening without damage due to multiple pry points
- Top face cable gland polyamide, 2x M20; bottom face cable gland polyamide, 2x M20



Dimensions



Dimension values see data table.

Image and drawing are generic for this device type and may deviate from the specific variant.

Technical Data

Electrical specifications

Operating voltage 352 V AC / DC max.

Mechanical specifications

Enclosure cover fully detachable

Cover fixing

Screws M4 stainless steel combination Phillips and slotted screw

Number 4

Tightening torque 1.5 Nm

Cover seal foamed silicone

Degree of protection IP66

Cable entry thru-holes

Cable entry face A

M20 quantity 1

M20 series Cable Glands, Plastic

Technical Data

| | |
|--|--|
| M20 type | CG.PEDS1.M20.* |
| M20 clamping range | 6 ... 12 mm |
| Cable entry face B | |
| M16 quantity | 2 |
| M16 series | Cable Glands, Plastic |
| M16 type | CG.PIDS1.M16S.* |
| M16 clamping range | 4 ... 8 mm |
| M20 quantity | |
| M20 series | |
| M20 type | |
| M20 clamping range | |
| Terminal assembly | |
| Rail orientation | horizontal |
| Number of horizontal rails | 1 |
| Usable length per horizontal rail | 47.5 mm |
| Terminal type | 4 x MUT 2.5 blue 1 x MUT 2.5 PE |
| Terminal capacity | 4 mm ² |
| Material | |
| Enclosure | carbon loaded, antistatic glass-fiber reinforced polyester (GRP) |
| Finish | inherent color black |
| Mass | approx. 0.35 kg |
| Dimensions | |
| External dimension (A) | 99 mm |
| External dimension (B) | 99 mm |
| External dimension (C) | 65 mm |
| Internal dimension (D) | 76 mm |
| Internal dimension (E) | 76 mm |
| Internal dimension (F) | 48 mm |
| Mounting holes distance (G) | 66 mm |
| Mounting holes distance (H) | 84 mm |
| Mounting holes diameter (J) | 5 mm |
| Thickness of mounting brackets (N) | 18 mm |
| Mounting | 2 screws |
| Ambient conditions | |
| Ambient temperature | -40 ... 60 °C (-40 ... 140 °F) |
| Data for application in connection with hazardous areas | |
| EU-type examination certificate | CML 17 ATEX 3255X |
| Marking | ⊕ II 2 GD Ex eb IIC T* Gb Ex tb IIIC T** °C Db T6/T80 °C @ Ta +40 °C T4/T130 °C @ Ta +60 °C |
| International approvals | |
| IECEX approval | IECEX CML 17.0144X |
| UKCA approval | CML 21 UKEX 3896X |
| Further approvals | further on request |
| Conformity | |
| Degree of protection | EN60529 |
| CE marking | 0102 |
| General information | |
| Supplementary information | EC-Type Examination Certificate, Statement of Conformity, Declaration of Conformity, Attestation of Conformity and instructions have to be observed where applicable. For information see www.pepperl-fuchs.com . |

Release date: 2023-02-15 Date of issue: 2023-02-15 Filename: 70151621_eng.pdf

Refer to "General Notes Relating to Pepperl+Fuchs Product Information".

Pepperl+Fuchs Group
www.pepperl-fuchs.comUSA: +1 330 486 0002
pa-info@us.pepperl-fuchs.comGermany: +49 621 776 2222
pa-info@de.pepperl-fuchs.comSingapore: +65 6779 9091
pa-info@sg.pepperl-fuchs.com
 PEPPERL+FUCHS