

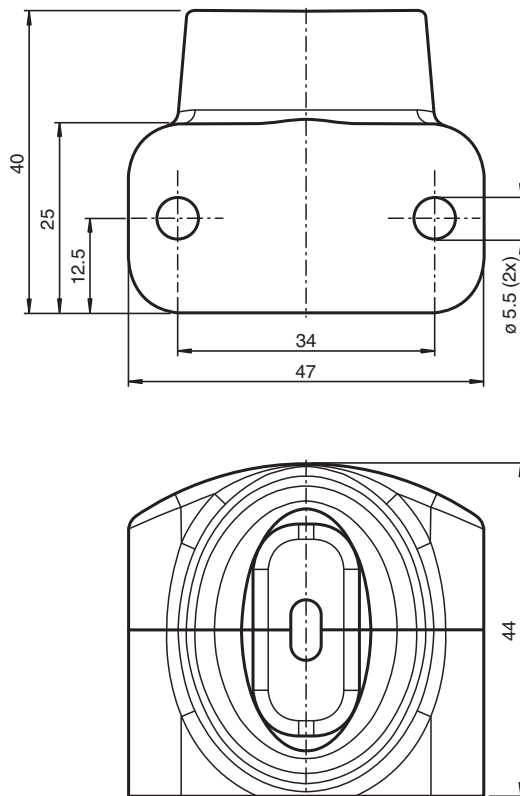


Mounting bracket USI-MH-27X13-V-02

- Screw mounting for simple installation
- Robust construction

Vertical mounting bracket exclusively for the USi-safety ultrasonic transducer

Dimensions



Release date: 2023-08-01 Date of issue: 2023-08-01 Filename: 70153323_eng.pdf

Technical Data

Ambient conditions

Ambient temperature	-40 ... 80 °C (-40 ... 176 °F)
Storage temperature	-40 ... 85 °C (-40 ... 185 °F)

Refer to "General Notes Relating to Pepperl+Fuchs Product Information".

Pepperl+Fuchs Group
www.pepperl-fuchs.com

USA: +1 330 486 0001
fa-info@us.pepperl-fuchs.com

Germany: +49 621 776 1111
fa-info@de.pepperl-fuchs.com

Singapore: +65 6779 9091
fa-info@sg.pepperl-fuchs.com

pf PEPPERL+FUCHS

Technical Data




Mechanical specifications

Material	
Housing	PA12
Mounting materials	2 x cylinder head screw M5x16 (included with delivery) 2 x cylinder head screw M3x10 (included with delivery)
Tightening torque, fastening screws	for screw M5 : max. 1.5 Nm for screw M3 : max. 0.5 Nm
Dimensions	40 mm x 47 mm x 44 mm

Commissioning

This component is only intended for use in conjunction with the ultrasonic sensor system USi-safety. Further details, mounting and commissioning instructions for the safe ultrasonic sensor system USi-safety can be found in the original instructions on the respective product page at www.pepperl-fuchs.com.

Matching System Components

	USI-F262-2E5-V19-S2D3	Evaluation unit exclusively for the ultrasonic sensor system USi-safety
	USI2500-27X13E-1,5M-V3	Ultrasonic transducer with cable 1.5 m, exclusively for the USi-safety evaluation unit
	USI2500-27X13E-3M-V3	Ultrasonic transducer with cable 3 m, exclusively for the USi-safety evaluation unit