

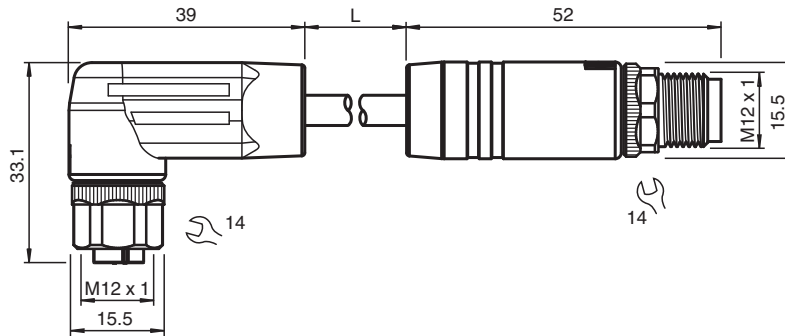
Connection cable V15L-W-1M-PUR-U-V15L-G

- Degree of protection IP65 / IP67 / IP69
- Free of paint wetting interfering substances
- UL listed for USA and Canada
- Halogen-free
- 600 V AC rated operational voltage
- Screw connection suitable for tool assembly
- Image is generic for this device type and may deviate from the specific variant

Cordset M12 socket angled to M12 plug straight L-coded, 5-pin, PUR cable grey, UL approved



Dimensions



Technical Data

General specifications

Connector 1		
Connection		socket
Construction type		M12
Style		angled
Locking		screw connection
Number of pins		5
Coding		L-coded
Connector 2		
Connection		plug
Construction type		M12
Style		straight
Locking		screw connection
Number of pins		5
Coding		L-coded

Electrical specifications

Rated operating voltage	U_e	600 V AC
Operating voltage	U_B	max. 48 V AC / 63 V DC
Operating current	I_B	max. 16 A

Conformity

Degree of protection		EN 60529
----------------------	--	----------

Release date: 2023-09-05 Date of issue: 2023-09-05 Filename: 70155454_eng.pdf

Refer to "General Notes Relating to Pepperl+Fuchs Product Information".

Pepperl+Fuchs Group
www.pepperl-fuchs.com

USA: +1 330 486 0001
fa-info@us.pepperl-fuchs.com

Germany: +49 621 776 1111
fa-info@de.pepperl-fuchs.com

Singapore: +65 6779 9091
fa-info@sg.pepperl-fuchs.com

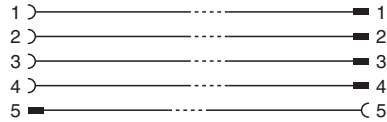
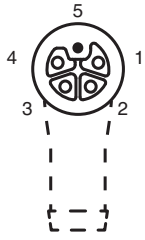
PF PEPPERL+FUCHS

Technical Data

Plug connection	connector M12 x 1 : IEC 61076-2-111	
Flammability	IEC 60332-1-2	
Halogen-free	DIN VDE 0472-815	
Oil resistance	DIN EN 60811-404	
Approvals and certificates		
UL approval	AWM STYLE 20939 80°C 600V VW-1 (cable)	
UL File Number	E520151	
Ambient conditions		
Ambient temperature		
Plug connector	-40 ... 125 °C (-40 ... 257 °F) note derating	
Cable, fixed	-40 ... 90 °C (-40 ... 194 °F) UL -40 ... 80 °C (-40 ... 176 °F)	
Cable, flexing	-30 ... 90 °C (-22 ... 194 °F) UL -30 ... 80 °C (-22 ... 176 °F)	
Pollution degree	3	
Mechanical specifications		
Plug connector		
Tightening torque	0.6 Nm	
Tool installation	straight knurling and hexagon nut SW = 14 mm	
Mating cycles	min. 100	
Degree of protection	IP65/IP67/IP69	
Cable		
Sheath diameter	8 mm	
Bending radius	> 7.5 x cable diameter, moving > 4 x cable diameter, fixed	
Sheath color	grey (similar to RAL 7032)	
Number of cores	5	
Core cross section	1.5 mm ²	
Cores color	Core 1: brown Core 2: white Core 3: blue Core 4: black Core 5: pink	
Length	L	1 m
Cable code	Li 9Y 11Y 5 x 1,50	
Material		
PWIS free	yes	
Halogen-free	yes	
Plug connector		
Screw connection	Zinc diecast, nickel-plated	
Body	TPE, black	
Seal	FKM	
Contact surface	Cu/Au	
Flammability	HB	
Cable		
Sheathing	PUR	
Core insulation	PP	
Oil resistance	yes	
Flammability	VW-1	

Release date: 2023-09-05 Date of issue: 2023-09-05 Filename: 70155454_eng.pdf

Connection



Accessories

	<p>VAZ-V1-B3L</p>	<p>Blind plug for M12 sockets</p>
--	--------------------------	-----------------------------------