



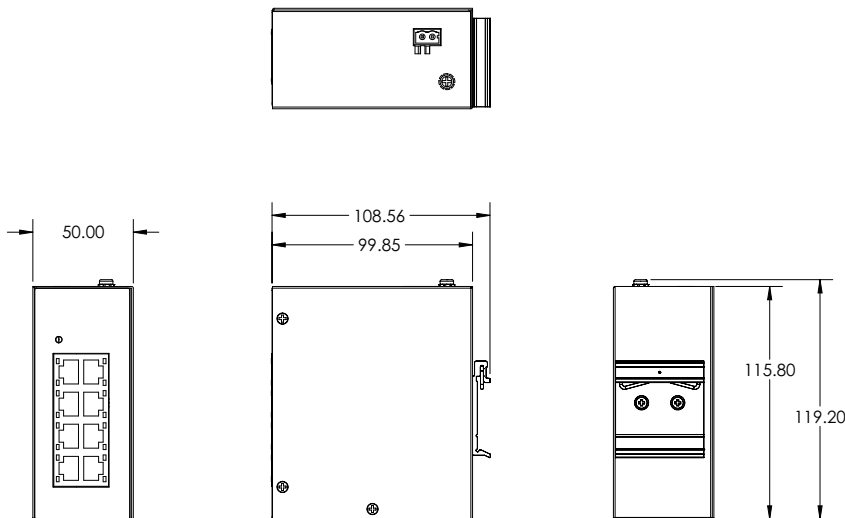
## Ethernet switch unmanaged ICRL2-U-8RJ45-DIN

- Eight - 10/100BASE-TX ports
- Rugged housing for use in harsh environments
- Suitable for PROFINET IO and EtherNet/IP
- Extended temperature range

Ethernet unmanaged switch with 8 RJ45 ports and extended temperature range



### Dimensions



### Technical Data

#### General specifications

UL File Number	E223772
MTBF	70.6 a
<b>Ethernet Interface</b>	
Number of ports	8
Auto-MDI(-X)	yes
Autonegotiation	yes
Ethernet Interface	Industrial Ethernet
Transfer rate	10BASE-T, 100BASE-TX
Network performance	Jumbo frame size: 1552 bytes Broadcast storm protection for broadcast packet

Release date: 2024-04-22 Date of issue: 2024-04-22 Filename: 70156867\_eng.pdf

Refer to "General Notes Relating to Pepperl+Fuchs Product Information".

Pepperl+Fuchs Group  
www.pepperl-fuchs.com

USA: +1 330 486 0001  
fa-info@us.pepperl-fuchs.com

Germany: +49 621 776 1111  
fa-info@de.pepperl-fuchs.com

Singapore: +65 6779 9091  
fa-info@sg.pepperl-fuchs.com

**PF** PEPPERL+FUCHS

## Technical Data

Cable type		Category 5e or better
<b>Switch properties</b>		
MAC address table size		1K
<b>Standards</b>		
IEEE 802.3 10BASE-T		yes
IEEE 802.3u 100BASE-TX		yes
IEEE 802.3x Flow Control and Back-pressure		yes
<b>Indicators/operating means</b>		
LED indication		see manual
<b>Electrical specifications</b>		
Rated operating voltage	U <sub>e</sub>	12 ... 48 V DC
Power consumption		3 W
General information		Current overload protection, Power input polarity protection
Nominal voltage		24 V DC
Current consumption		typ. 7 mA
<b>Interface 1</b>		
Physical		RJ45
Transfer rate		10/100 Mbps
<b>Inputs/Outputs</b>		
Number/Type		8 x RJ45
<b>Directive conformity</b>		
Electromagnetic compatibility		
Directive 2014/30/EU		EN 55011:2016-04 EN 55011/A1:2017-04 EN 55011/A11:2020-03 EN 55032:2015-07 EN 55032/A11:2020-03 EN 55035:2017-07 EN 55035/A11:2020-05
<b>Standard conformity</b>		
Electrical safety		CSA C22.2 No. 61010-1-12 UL 61010-1, IEC 61010-2-201
Emitted interference		EN 55032, FCC Part 15 Subpart B, ICES-003, AS/NZS CISPR 32
Noise immunity		EN 55035:2017/A11:2020
Shock resistance		EN 60068-2-27
Vibration resistance		IEC 60068-2-6
<b>Ambient conditions</b>		
Ambient temperature		-40 ... 75 °C (-40 ... 167 °F)
Storage temperature		-40 ... 85 °C (-40 ... 185 °F)
Relative humidity		max. 95 %
Altitude		0 ... 3048 m
<b>Mechanical specifications</b>		
Degree of protection		IP30
Connection		Power Supply Terminal Block Ethernet 8 x RJ45
<b>Material</b>		
Housing		Aluminum
Mass		435 g
<b>Dimensions</b>		
Height		115.8 mm
Width		50 mm
Length		99.6 mm
Construction type		Cabinet module
Mounting		DIN rail or direct panel mounting

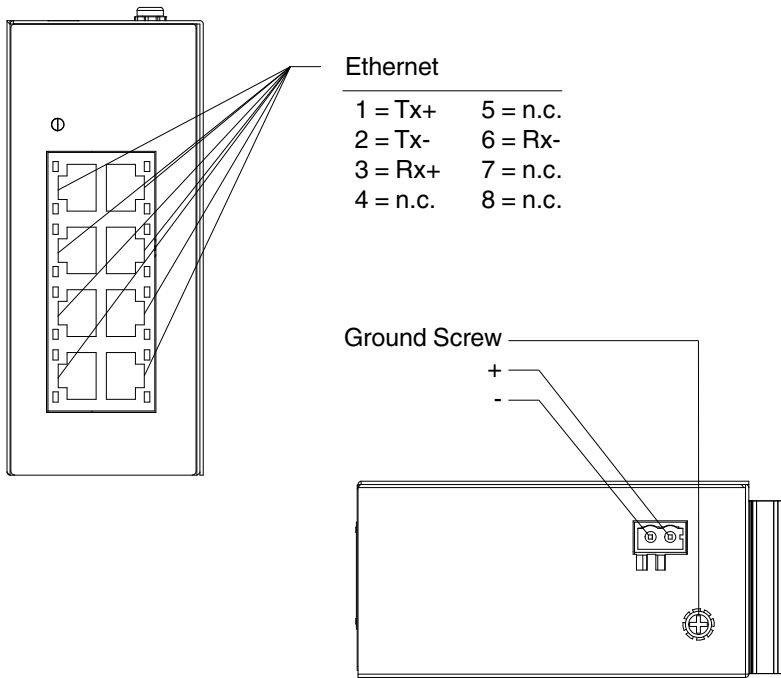
Release date: 2024-04-22 Date of issue: 2024-04-22 Filename: 70156867\_eng.pdf

Refer to "General Notes Relating to Pepperl+Fuchs Product Information".

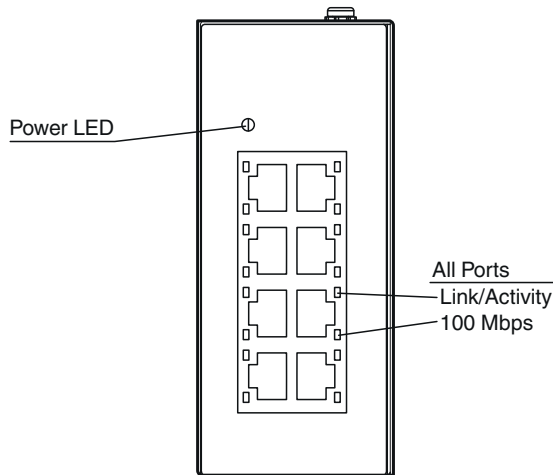
Pepperl+Fuchs Group  
www.pepperl-fuchs.comUSA: +1 330 486 0001  
fa-info@us.pepperl-fuchs.comGermany: +49 621 776 1111  
fa-info@de.pepperl-fuchs.comSingapore: +65 6779 9091  
fa-info@sg.pepperl-fuchs.com

**PEPPERL+FUCHS**

Connection



Indication



Release date: 2024-04-22 Date of issue: 2024-04-22 Filename: 70156867\_eng.pdf