



# Control Unit Ex e, Polyamide, Pushbutton

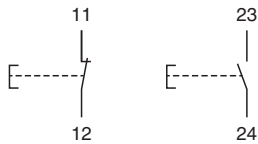
## LRP1.D.DMMX.E.1

- Double pushbutton, red/green - 1x NO / 1x NC - labeling '0 - I'
- Polyamide (PA) enclosure
- Ex db eb and Ex tb certified
- Installation in Zone 1, Zone 2, Zone 21 and Zone 22
- Pushbutton with interchangeable inserts
- Degree of protection IP66
- Top face stopping plug polyamide, 1x M20; bottom face cable gland polyamide, 1x M20

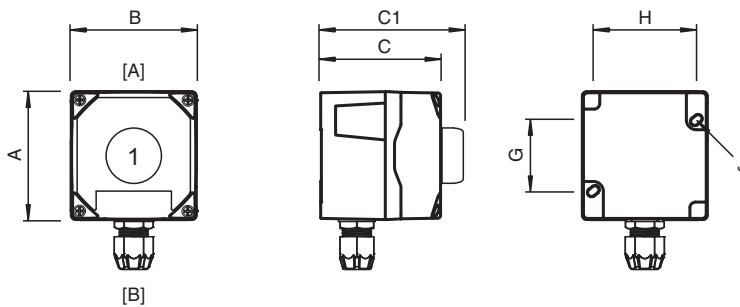


### Connection

	11	23
0	X	
I		X
	12	24



### Dimensions



Dimension values see data table.  
Image and drawing are generic for this device type and may deviate from the specific variant.

Release date: 2023-09-21 Date of issue: 2023-09-21 Filename: 70160112\_eng.pdf

Refer to "General Notes Relating to Pepperl+Fuchs Product Information".

Pepperl+Fuchs Group  
www.pepperl-fuchs.com

USA: +1 330 486 0002  
pa-info@us.pepperl-fuchs.com

Germany: +49 621 776 2222  
pa-info@de.pepperl-fuchs.com

Singapore: +65 6779 9091  
pa-info@sg.pepperl-fuchs.com

**PF** PEPPERL+FUCHS

## Technical Data

Electrical specifications	
Operating voltage	250 V max.
Operating current	13 A max.
Terminal capacity	2.5 mm <sup>2</sup>
Terminal torque	0.8 Nm
Function	double pushbutton
Color	red / green
Contact configuration	1x NO / 1x NC
Usage category	AC12 - 12 ... 250 V AC - 13 A AC15 - 12 ... 250 V AC - 10 A DC13 - 12 ... 110 V DC - 1 A
Number of poles	2
Operator action	spring return
Labeling	0 - I
Note	spare pushbutton inserts included: red 'STOP', red 'OFF', green 'START', green 'ON', black 'I', black 'II', 2x black 'arrow up'
Mechanical specifications	
Enclosure range	LRP
Enclosure cover	fully detachable
Cover fixing	
Screws	M4 stainless steel combination Phillips and slotted screw
Number	4
Tightening torque	1.5 Nm
Degree of protection	IP66
Cable entry	thru-holes direct through body
Cable entry face A	
M20 quantity	1
M20 series	Stopping Plug
M20 type	SP.PE.M20.*
Cable entry face B	
M20 quantity	1
M20 series	Cable Glands, Plastic
M20 type	CG.PEDS1.M20.*
M20 clamping range	6 ... 12 mm
Defined entry area	face A and face B
Material	
Enclosure	Polyamide (PA)
Finish	inherent color black
Seal	one piece closed cell silicone
Mass	approx. 0.45 kg
Dimensions	
External dimension (A)	90 mm
External dimension (B)	88 mm
External dimension (C)	85 mm
External dimension with operating element (C1)	100.5 mm
Mounting holes distance (G)	50 mm
Mounting holes distance (H)	72.5 mm
Mounting holes diameter (J)	5.6 mm
Tightening torque	
Nut torque at enclosure (SW1)	see datasheets of cable glands
Mounting	2 screws
Grounding	2x 2.5mm <sup>2</sup> grounding terminal
Ambient conditions	

Release date: 2023-09-21 Date of issue: 2023-09-21 Filename: 70160112\_eng.pdf

Refer to "General Notes Relating to Pepperl+Fuchs Product Information".

Pepperl+Fuchs Group  
www.pepperl-fuchs.com

USA: +1 330 486 0002  
pa-info@us.pepperl-fuchs.com

Germany: +49 621 776 2222  
pa-info@de.pepperl-fuchs.com

Singapore: +65 6779 9091  
pa-info@sg.pepperl-fuchs.com

 PEPPERL+FUCHS

## Technical Data

Ambient temperature	-40 ... 55 °C (-40 ... 131 °F) @ T4 -40 ... 40 °C (-40 ... 104 °F) @ T6
<b>Data for application in connection with hazardous areas</b>	
EU-type examination certificate	CML 16 ATEX 3009X
Marking	Ⓜ II 2 GD Ex db eb IIC T* Gb Ex tb IIIC T** °C Db T4/T130 °C @ Ta +55 °C ( T6/T80 °C @ Ta +40 °C on request )
<b>International approvals</b>	
IECEX approval	IECEX CML 16.0008X
UKCA approval	CML 22 UKEX 2550X
Further approvals	further on request
<b>Conformity</b>	
Degree of protection	EN60529
Usage category	IEC / EN 60947
CE marking	0080 or 0102, see type label
<b>General information</b>	
Ordering information	This device will be delivered completely configured and assembled ready for use. For configuration details please contact Customer Service.
Supplementary information	EC-Type Examination Certificate, Statement of Conformity, Declaration of Conformity, Attestation of Conformity and instructions have to be observed where applicable. For information see <a href="http://www.pepperl-fuchs.com">www.pepperl-fuchs.com</a> .
<b>Accessories</b>	
Optional accessories	engraved traffolyte tag label engraved AISI 316L stainless steel tag label color in-fill stainless steel tag label