



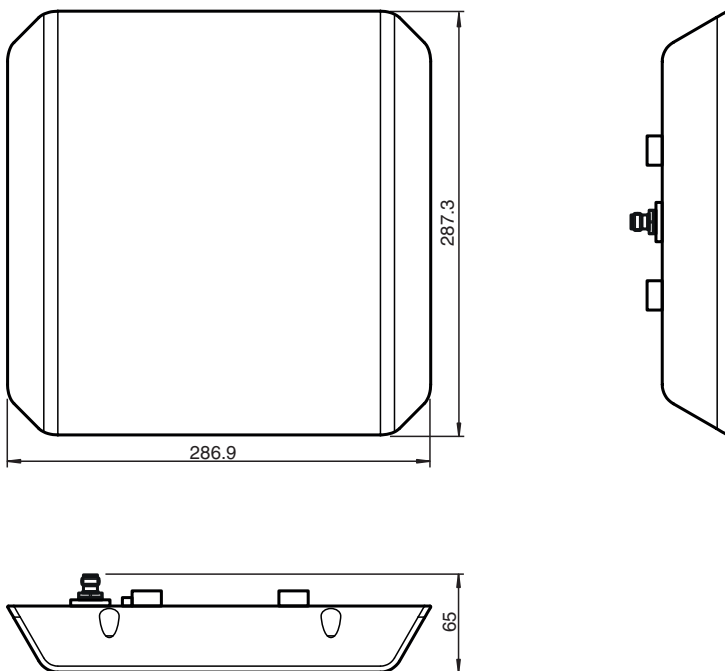
RFID antenna IUA-F830-FR2

- Circular antenna polarization ensures reliable transponder detection and improves process flow
- Sturdy housing, suitable for rough industrial use
- Degree of protection IP67

UHF RFID antenna, 65° x 65° circular



Dimensions



Release date: 2023-08-23 Date of issue: 2023-08-23 Filename: 70161900_eng.pdf

Technical Data

General specifications

Performance characteristics	Gain: 9 dBic
Operating frequency	902 ... 928 MHz
Polarization	circular
Opening angle	65 ° x 65 °
Voltage standing-wave ratio (VSWR)	< 1.25:1

Directive conformity

RoHS	
Directive 2011/65/EU (RoHS)	IEC/EN 63000

Standard conformity

Refer to "General Notes Relating to Pepperl+Fuchs Product Information".

Pepperl+Fuchs Group
www.pepperl-fuchs.com

USA: +1 330 486 0001
fa-info@us.pepperl-fuchs.com

Germany: +49 621 776 1111
fa-info@de.pepperl-fuchs.com



Singapore: +65 6779 9091
fa-info@sg.pepperl-fuchs.com

PEPPERL+FUCHS

Technical Data

Degree of protection	EN 60529
Ambient conditions	
Ambient temperature	-25 ... 55 °C (-13 ... 131 °F)
Storage temperature	-25 ... 80 °C (-13 ... 176 °F)
Climatic conditions	Air humidity 0 ... 95 % , noncondensing
Shock and impact resistance	Vibration (sine): 1 g, 10–150 Hz according to EN 60068-2-6 Shock (half-sine): 30 g according to EN 60068-2-27
Mechanical specifications	
Housing length	65 mm
Housing width	288 mm
Housing height	288 mm
Degree of protection	IP67
Connection	TNC socket, 50 Ω
Material	
Housing	PC, aluminum
Mass	approx. 1550 g

Accessories

	IUZ-MH100	Mounting aid
	IUK-SMA-*M-LL240F-FRNC-TNC	Adapter cable SMA plug straight to TNC plug straight, FRNC coaxial cable black, UV resistant