

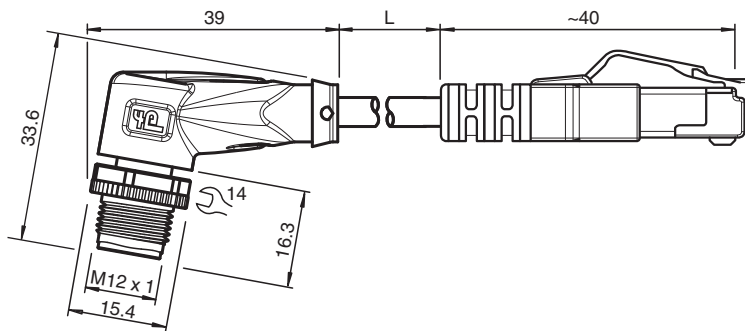
Connection cable, Ethernet V1SD-W-GN1M-PUR-E2S-V45-G

- Hard-wearing PUR cable
- Industrial Ethernet
- D coding for Ethernet
- CAT5/CAT5e cable
- Degree of protection IP68 / IP69
- Free of paint wetting interfering substances
- Halogen-free
- Specific design protects against loosening and inaccurate installation

Ethernet bus cable M12 plug angled D-coded to RJ45 Ethernet-coded, 4-pin, PUR cable green, Cat5e, shielded



Dimensions



Technical Data

General specifications

| | |
|--------------------|------------------|
| Connector 1 | |
| Connection | plug |
| Construction type | M12 |
| Style | angled |
| Locking | screw connection |
| Number of pins | 4 |
| Coding | D-coded |
| Connector 2 | |
| Connection | plug |
| Construction type | RJ45 |
| Style | straight |
| Locking | snap locking |
| Number of pins | 8 |
| Coding | EtherNet/IP |

Electrical specifications

Release date: 2024-03-17 Date of issue: 2024-03-17 Filename: 70164936_eng.pdf

Refer to "General Notes Relating to Pepperl+Fuchs Product Information".

Pepperl+Fuchs Group
www.pepperl-fuchs.com

USA: +1 330 486 0001
fa-info@us.pepperl-fuchs.com

Germany: +49 621 776 1111
fa-info@de.pepperl-fuchs.com

Singapore: +65 6779 9091
fa-info@sg.pepperl-fuchs.com

PEPPERL+FUCHS

Technical Data

| | | |
|----------------------------------|----------------|--|
| Operating voltage | U _B | max. 48 V AC / 60 V DC |
| Rated current | I _r | max. 1 A |
| Conformity | | |
| Degree of protection | | EN 60529 |
| Plug connection | | connector M12 x 1 : IEC 61076-2-101 connector RJ45 : IEC 60603-7 |
| Component category | | CAT5 (IEC 11801) , CAT5e (IEC 61156-6) |
| Flammability | | IEC 60332-1-2 / UL 1581 / ISO 6722-1 5.22 (UN ECE-R 118.01) |
| Halogen-free | | IEC 60754-1 |
| Chemical resistance | | DIN EN 60811-2-1 |
| Microbial resistance | | DIN EN 50525-2-21 / DIN VDE 0282-10 |
| Oil resistance | | DIN EN 60811-2-1 |
| Ambient conditions | | |
| Ambient temperature | | |
| Connector 1 | | -40 ... 90 °C (-40 ... 194 °F) |
| Cable, fixed | | -40 ... 80 °C (-40 ... 176 °F) |
| Cable, flexing | | -30 ... 70 °C (-22 ... 158 °F) |
| Mechanical specifications | | |
| Connector 1 | | |
| Tightening torque | | 0.6 Nm |
| Loosening protection | | available |
| Tool installation | | straight knurling and hexagon nut SW = 14 mm |
| Mating cycles | | min. 100 |
| Shielding | | shield connected to screw connection |
| Degree of protection | | IP68 / IP69 |
| Connector 2 | | |
| Loosening protection | | available |
| Mating cycles | | min. 100 |
| Shielding | | shield connected to connector |
| Degree of protection | | IP20 |
| Cable | | |
| Sheath diameter | | 4.9 mm |
| Bending radius | | > 12 x cable diameter, moving > 6 x cable diameter, fixed |
| Sheath stripping force | | max. 50 N / 100 mm |
| Sheath color | | green (similar to RAL 6018) |
| Number of cores | | 4 |
| Core cross section | | 0.15 mm ² / 26 AWG |
| Cores color | | Core 1-1: white/orange Core 2-3: white/green Core 3-2: orange Core 4-6: green |
| Core construction | | 19 x 0.1 mm Ø twisted quad |
| Shield | | aluminum-lined polyester foil Tinned copper braiding, 85 % coverage |
| Length | L | 1 m |
| Cable code | | Li 9Y 11YM 4 x 0,15 |
| Drag chain suitability | | |
| Drag chain cycles | | max. 1000000 |
| Motion velocity | | max. 3 m/s |
| Traverse distance | | max. 4.5 m |
| Acceleration | | max. 3 m/s ² |
| Material | | |
| PWIS free | | yes |
| Halogen-free | | yes |

Release date: 2024-03-17 Date of issue: 2024-03-17 Filename: 70164936_eng.pdf

Refer to "General Notes Relating to Pepperl+Fuchs Product Information".

 Pepperl+Fuchs Group
www.pepperl-fuchs.com

 USA: +1 330 486 0001
fa-info@us.pepperl-fuchs.com

 Germany: +49 621 776 1111
fa-info@de.pepperl-fuchs.com

 Singapore: +65 6779 9091
fa-info@sg.pepperl-fuchs.com

 **PEPPERL+FUCHS**

Technical Data

| | |
|------------------|--------------------------------------|
| Connector 1 | |
| Screw connection | Zinc diecast, nickel-plated |
| Body | TPU, black |
| Contact surface | Au |
| Flammability | V-2 |
| Connector 2 | |
| Body | PA, green |
| Flammability | V-0 |
| Cable | |
| Sheathing | PUR based on polyether |
| Core insulation | PP |
| Flammability | FT1 complies with UN ECE-R 118.01 |

Connection Assignment

