

Y connection cable

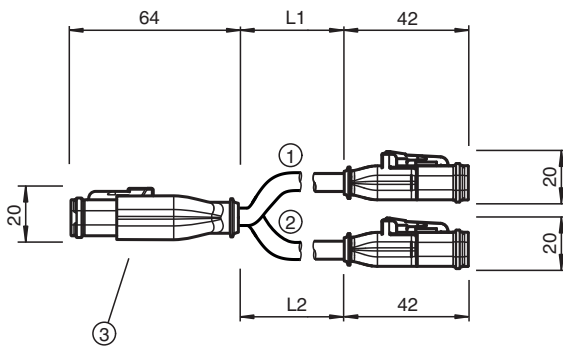
DT2S/DT2S-G-1M-PUR-O1-T-DT4S-G

- Suitable for outdoor use (UV- and ozone resistant)
- Suitable for drag chains and abrasion resistant
- Degree of protection IP68
- Resistant to microbes and hydrolysis
- Oil resistant
- Resistant to salt water
- Halogen-free
- Snap locking

Y connection cable Deutsch socket straight 4-pin to 2x Deutsch socket straight 2-pin, 2x PUR cable black, drag chain suitable



Dimensions



Technical Data

General specifications

| | | | |
|----------------------------------|----------------|------------------------|--|
| Connector 1 | | | |
| Connection | | socket | |
| Construction type | | Deutsch connectors | |
| Style | | straight | |
| Locking | | snap locking | |
| Number of pins | | 2 | |
| Connector 2 | | | |
| Connection | | socket | |
| Construction type | | Deutsch connectors | |
| Style | | straight | |
| Locking | | snap locking | |
| Number of pins | | 2 | |
| Connector 3 | | | |
| Connection | | socket | |
| Construction type | | Deutsch connectors | |
| Style | | straight | |
| Locking | | snap locking | |
| Number of pins | | 4 | |
| Electrical specifications | | | |
| Operating voltage | U _B | max. 48 V AC / 60 V DC | |

Release date: 2024-04-10 Date of issue: 2024-04-10 Filename: 70176337_eng.pdf

Refer to "General Notes Relating to Pepperl+Fuchs Product Information".

Pepperl+Fuchs Group
www.pepperl-fuchs.com

USA: +1 330 486 0001
fa-info@us.pepperl-fuchs.com

Germany: +49 621 776 1111
fa-info@de.pepperl-fuchs.com

Singapore: +65 6779 9091
fa-info@sg.pepperl-fuchs.com

PEPPERL+FUCHS

Technical Data

| | | |
|----------------------------------|-------|--|
| Operating current | I_B | max. 4 A |
| Conformity | | |
| Degree of protection | | EN 60529 |
| Flammability | | UL 1581; DIN EN 60332-2-2 |
| Halogen-free | | DIN VDE 0472-815 / DIN EN 50267-2-1 |
| Oil resistance | | DIN EN 60811-2-1 |
| Ambient conditions | | |
| Ambient temperature | | |
| Plug connector | | -40 ... 125 °C (-40 ... 257 °F) |
| Cable, fixed | | -50 ... 105 °C (-58 ... 221 °F) |
| Cable, flexing | | -30 ... 105 °C (-22 ... 221 °F) |
| Pollution degree | | 3 |
| Mechanical specifications | | |
| Plug connector | | |
| Loosening protection | | available |
| Degree of protection | | IP68 |
| Cable | | according to IEC/EN 60228 (DIN VDE 0295) class 6 |
| Sheath diameter | | 4.5 mm |
| Bending radius | | > 10 x cable diameter, moving > 8 x cable diameter, fixed |
| Sheath stripping force | | max. 50 N / 300 mm |
| Sheath color | | black (similar to RAL 7021) |
| Number of cores | | 3 |
| Core cross section | | 0.5 mm ² |
| Cores color | | Core 1: brown Core 2: blue Core 3: brown Core 4: blue |
| Core construction | | 28 x 0.15 mm Ø 1 x symmetrically twisted |
| Length | L | 1 m |
| Cable code | | Li 9Y 11Y 3 x 0,50 |
| Drag chain suitability | | |
| Drag chain cycles | | min. 2000000 |
| Motion velocity | | max. 3 m/s |
| Traverse distance | | max. 10 m |
| Acceleration | | max. 10 m/s ² |
| Material | | |
| Halogen-free | | yes |
| Plug connector | | |
| Body | | PA, black |
| Contact surface | | Ni |
| Flammability | | V-0 |
| Cable | | |
| Sheathing | | PUR based on polyether |
| Core insulation | | PP |
| Salt water resistance | | yes |
| UV resistance | | yes |
| Chemical resistance | | good |
| Oil resistance | | yes |
| Cooling lubricant resistance | | yes |
| Microbial resistance | | yes |
| Hydrolysis resistance | | yes |
| Flammability | | FT2 |

Release date: 2024-04-10 Date of issue: 2024-04-10 Filename: 70176337_eng.pdf

Refer to "General Notes Relating to Pepperl+Fuchs Product Information".

Pepperl+Fuchs Group
www.pepperl-fuchs.com

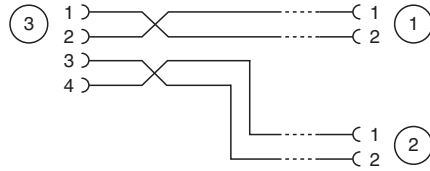
USA: +1 330 486 0001
fa-info@us.pepperl-fuchs.com

Germany: +49 621 776 1111
fa-info@de.pepperl-fuchs.com

Singapore: +65 6779 9091
fa-info@sg.pepperl-fuchs.com

 PEPPERL+FUCHS

Connection Assignment



Release date: 2024-04-10 Date of issue: 2024-04-10 Filename: 70176337_eng.pdf