



Diffuse mode sensor

RL29-8-2000/59/73c/136

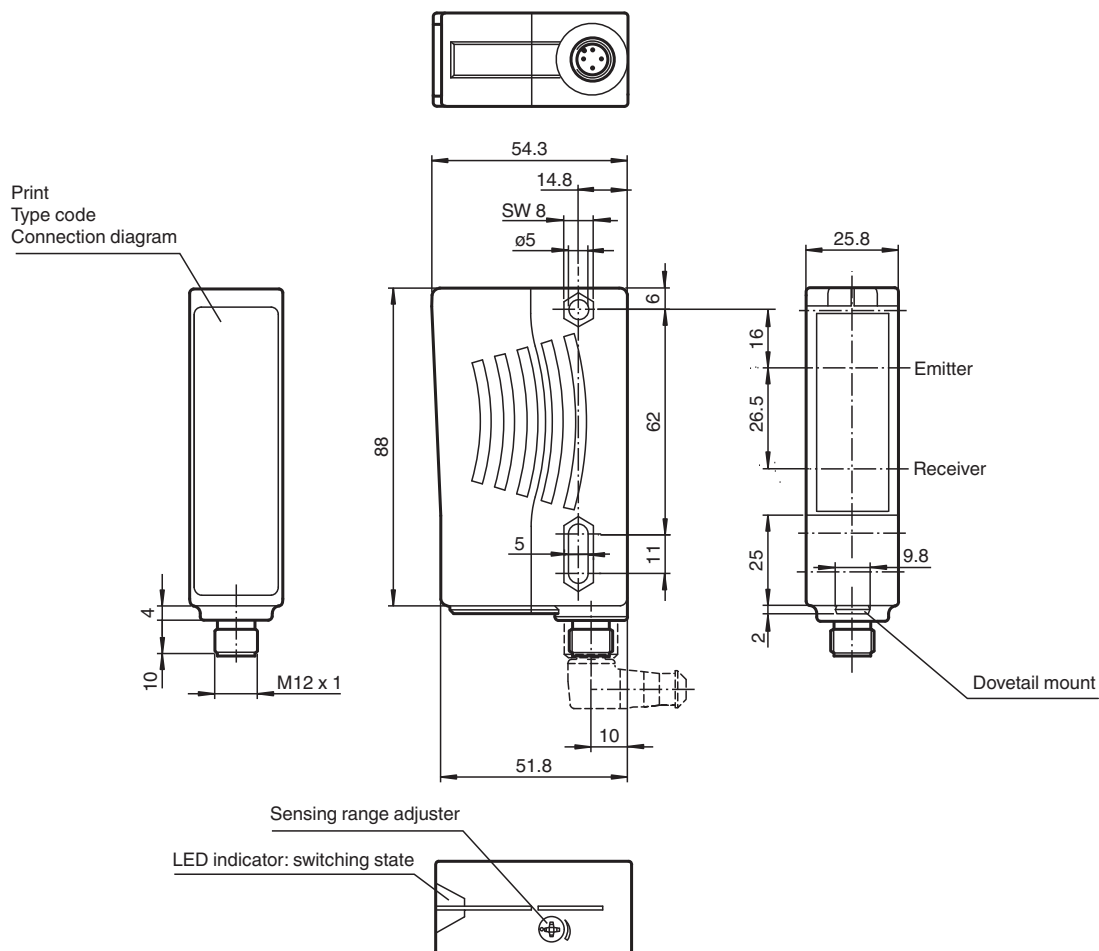


- Highly visible LED
- Good alignability due to red transmission LED
- Powerful push-pull output
- Optimal price/power ratio
- Protection class II

Diffuse mode sensor



Dimensions



Technical Data

General specifications

Detection range	20 ... 2000 mm , adjustable
Detection range min.	20 ... 200 mm

Release date: 2022-11-22 Date of issue: 2022-11-22 Filename: 801766_eng.pdf

Refer to "General Notes Relating to Pepperl+Fuchs Product Information".

Pepperl+Fuchs Group
www.pepperl-fuchs.com

USA: +1 330 486 0001
fa-info@us.pepperl-fuchs.com

Germany: +49 621 776 1111
fa-info@de.pepperl-fuchs.com

Singapore: +65 6779 9091
fa-info@sg.pepperl-fuchs.com

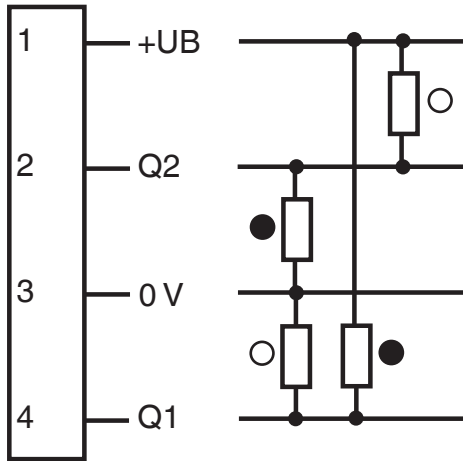
PF PEPPERL+FUCHS

Technical Data

Detection range max.		20 ... 2000 mm
Light source		LED 660 nm
Light type		modulated visible red light
Black-white difference (6 %/90 %)		< 40 %
Diameter of the light spot		approx. 50 mm at a distance of 2000 mm
Opening angle		Emitter: 1.2 ° , Receiver: 2 °
Ambient light limit		50000 Lux
Functional safety related parameters		
MTTF _d		1982.2 a
Mission Time (T _M)		20 a
Diagnostic Coverage (DC)		0 %
Indicators/operating means		
Function indicator		LED yellow: switching state
Control elements		Sensing range adjuster
Electrical specifications		
Operating voltage	U _B	10 ... 30 V DC , class 2
Ripple		10 %
No-load supply current	I ₀	≤ 40 mA
Output		
Switching type		dark-on
Signal output		2 push-pull (4 in 1) outputs, short-circuit protected, reverse polarity protected
Switching voltage		max. 30 V DC
Switching current		max. 100 mA
Switching frequency	f	125 Hz
Response time		4 ms
Conformity		
Product standard		EN 60947-5-2
Approvals and certificates		
EAC conformity		TR CU 020/2011
UL approval		cULus Listed, Class 2 Power Source, Type 1 enclosure
CCC approval		CCC approval / marking not required for products rated ≤36 V
Approvals		CE, cULus Listed 57M3 (Only in association with UL Class 2 power supply; Type 1 enclosure)
Ambient conditions		
Ambient temperature		-25 ... 60 °C (-13 ... 140 °F)
Storage temperature		-40 ... 75 °C (-40 ... 167 °F)
Mechanical specifications		
Housing width		25.8 mm
Housing height		88 mm
Housing depth		54.3 mm
Degree of protection		IP65
Connection		Plastic connector M12 x 1, 4-pin
Material		
Housing		Plastic ABS
Optical face		plastic
Mass		70 g

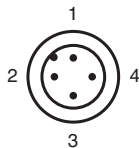
Connection Assignment

Option:



- = Light on
- = Dark on

Connection Assignment

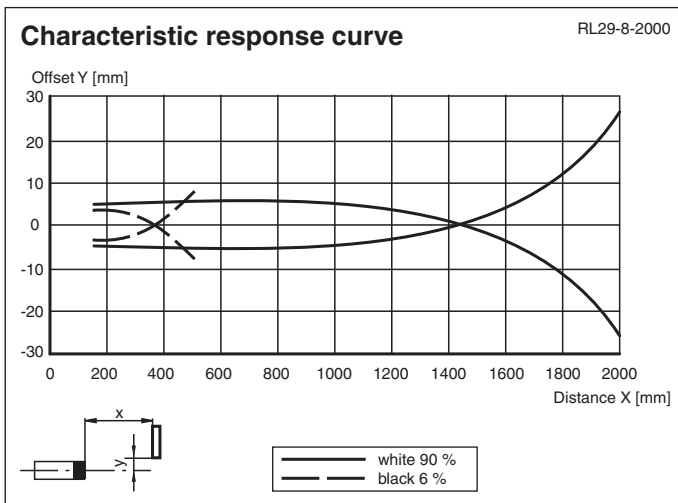


Wire colors in accordance with EN 60947-5-2

1		BN	(brown)
2		WH	(white)
3		BU	(blue)
4		BK	(black)

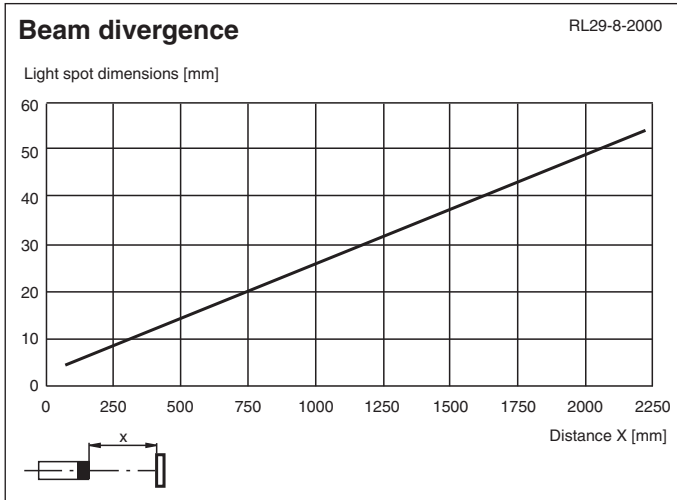
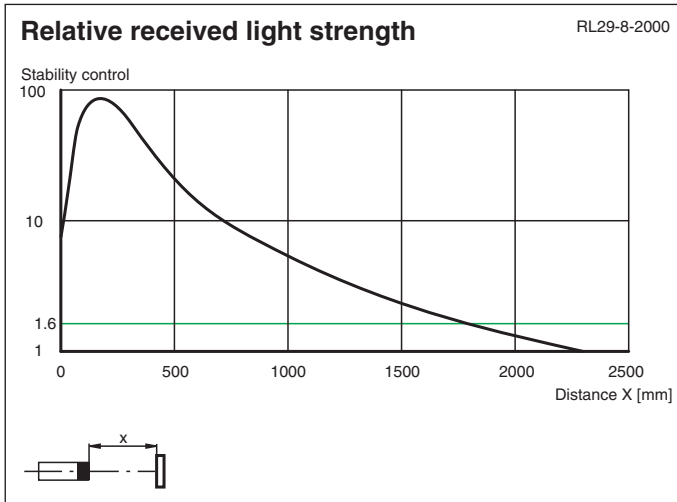
Characteristic Curve

Release date: 2022-11-22 Date of issue: 2022-11-22 Filename: 801766_eng.pdf










Refer to "General Notes Relating to Pepperl+Fuchs Product Information".

Characteristic Curve



Accessories

	OMH-05	Mounting aid for round steel \varnothing 12 mm or sheet 1.5 mm ... 3 mm
	OMH-21	Mounting bracket: mounting aid for sensors in the RL* series
	OMH-22	Mounting aid for RL* series
	OMH-RLK29-HW	Mounting bracket for rear wall mounting
	OMH-RL28-C	Weld slag cover model
	V1-G-2M-PUR	Female cordset single-ended M12 straight A-coded, 4-pin, PUR cable grey
	V1-W-2M-PUR	Female cordset single-ended M12 angled A-coded, 4-pin, PUR cable grey

Release date: 2022-11-22 Date of issue: 2022-11-22 Filename: 801766_eng.pdf