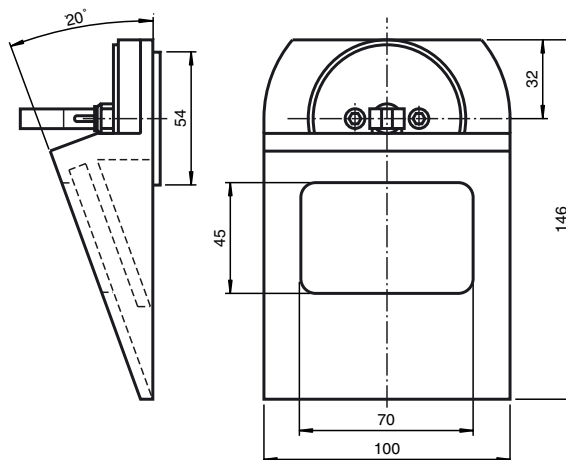




Dimensions



Model Number

MTA-C2V3

Microwave data carrier with sucker

Features

- Retainer for microwave data carrier MTA-C2
- Simple mounting via suction cup

Technical data

Ambient conditions	
Ambient temperature	... 110 °C (... 230 °F)
Mechanical specifications	
Material	NBR 50 Shore A

Release date: 2010-03-31 16:15 Date of issue: 2010-03-31 900109_ENG.xml

Subject to modifications without notice

Pepperl+Fuchs Group
www.pepperl-fuchs.com

USA: +1 330 486 0001
fa-info@us.pepperl-fuchs.com

Germany: +49 621 776-4411
fa-info@pepperl-fuchs.com

Copyright Pepperl+Fuchs
Singapore: +65 6779 9091
fa-info@sg.pepperl-fuchs.com