

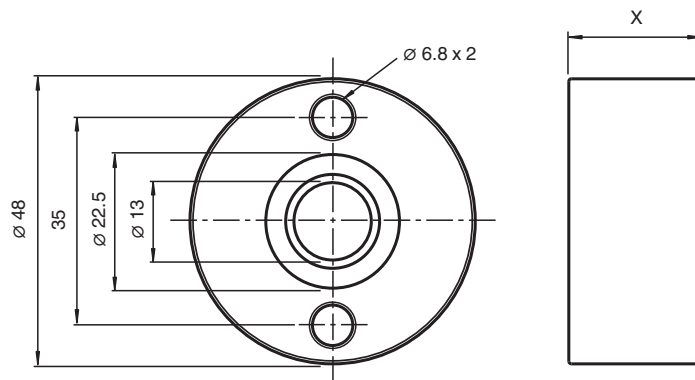
Spacer

SPACER 0.160 TO 0.375 : X.XXX"

- For adapting standard probe lengths to application requirements
- X.XXX = spacer thickness in inches

Spacer for cylinder switches

Dimensions



Technical Data

Mechanical specifications

Material	6061 aluminum
Seal	Viton O-ring inner diameter: 17.93 mm thickness: 2.46 mm
Note	When ordering specify thickness X.XXX" range: 0.160" ... 0.375" in increments of 0.005" (x = thickness)

Release date: 2023-08-30 Date of issue: 2023-08-30 Filename: 900186_eng.pdf

Refer to "General Notes Relating to Pepperl+Fuchs Product Information".

Pepperl+Fuchs Group
www.pepperl-fuchs.com

USA: +1 330 486 0001
fa-info@us.pepperl-fuchs.com

Germany: +49 621 776 1111
fa-info@de.pepperl-fuchs.com

Singapore: +65 6779 9091
fa-info@sg.pepperl-fuchs.com

PF PEPPERL+FUCHS

Mounting

Probe through-hole (Figure 1):

Standard probe hole ports are tapped with size 3/8" NPT threading. The minimum probe through-hole diameter is 0.560".

Mounting holes (Figure 2):

Thread shall be 1/4" - 20. Hole spacing is 35 mm center to center.

Mounting screws (Figure 2):

Sensor and spacer are secured with two self-locking 1/4" - 20 socket head cap screws. Minimum recommended tightening torque is 150 in. lb.

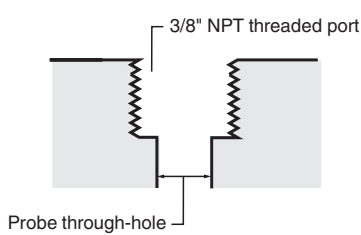
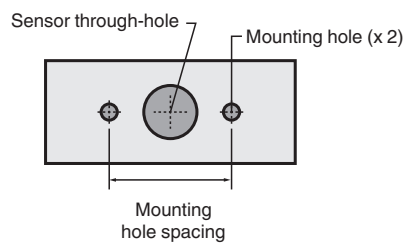


Figure 2



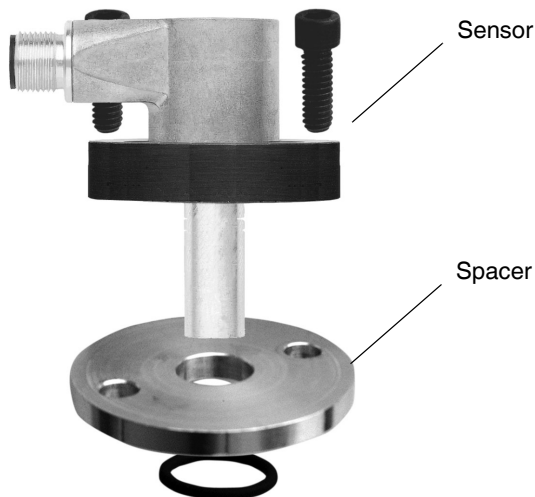
Cylinder End-Cap Overhead View

Figure 2

Important: Minimum mounting screw thread engagement depth is 0.250". Spacers typically necessitate longer mounting screws than those provided.

Example:

Probe length required: 0.625"
 Cylinder switch: NJ2-D-E02-1.025-V1
 Spacer thickness: 1.025" - 0.625" = **0.400"**



Release date: 2023-08-30 Date of issue: 2023-08-30 Filename: 900186_eng.pdf