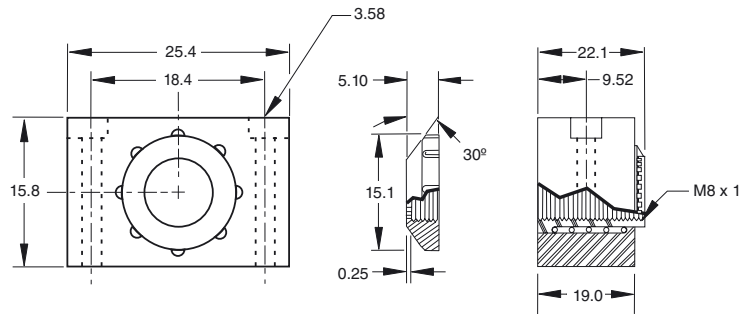


## Dimensions



## Technical data

### Mechanical specifications

Material	Housing: anodized aluminum Protective cap: plastic
----------	---

### Model Number

**BCM-08**

Mounting Block

### Features

- Block cushion mount
- For 8 mm diameter sensors
- Maximum overtravel 8.89 mm

### Application

The spring loaded block cushion mount provides surface-mountable protection against accidental target contact for standard shielded inductive sensors.