



### Model Number

#### U-P4-R4-V15

Base with addressable serial Interface RS 485

### Features

- Protection degree IP67
- Simple bus system with up to 30 units
- Serial interface RS 485, addressable

### Function

The base is used in combination with an upper part, the IPT\*-FP read/write station. An addressable RS 485 interface is available. It is thus possible to create a simple bus connection with up to 30 subscribers.

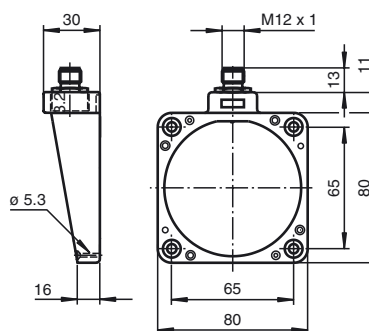
The address is set and the terminating resistor for the bus is connected via DIP switches. The read/write station is connected to a higher-order control system via the serial interface and receives the commands for writing and/or reading code or data carriers via this interface.

### Matching system components

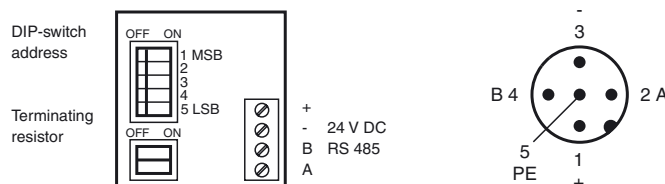
#### IPT-FP

Read/write station

### Dimensions



### Electrical connection



### Technical data

#### Indicators/operating means

DIP-switch	Setting the station address bus connection ON = active OFF = non-active
------------	---

#### Electrical specifications

Rated operational voltage	$U_e$	20 ... 30 V DC , ripple 10 % <sub>SS</sub> , PELV
Power consumption	$P_0$	max. 4 W with read/write head IPT*-FP

#### Electrical isolation

Operating voltage/interface	functional insulation acc. to DIN EN 50178, rated insulation voltage 50 V <sub>eff</sub>
-----------------------------	--

#### Interface

Physical	RS 485, addressable , up to 30 bases , address 1 ... 30
Protocol	ASCII
Transfer rate	1200; 2400; 4800; 9600; 19200; 38400 Bit/s
Cable length	≤ 1200 m

#### Ambient conditions

Ambient temperature	-25 ... 70 °C (248 ... 343 K)
Storage temperature	-40 ... 85 °C (233 ... 358 K)

#### Mechanical specifications

Protection degree	IP67 according to EN 60529 with IPT*-FP
Connection	screw terminals
Interface cable	2 conductor, acc. to RS 485
Supply	up to 3 x 1.5 mm <sup>2</sup>
Material	
Housing	aluminium diecasting