

Inductive sensor

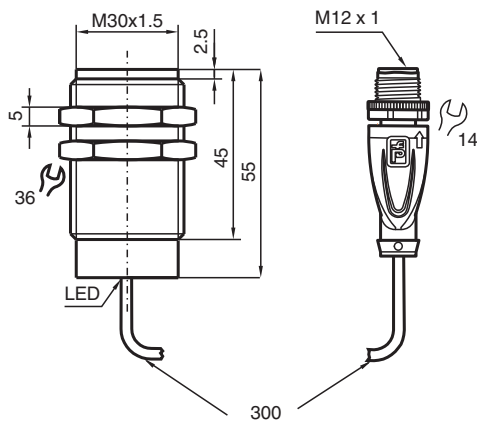
NMB8-30GM55-Z3-C-FE-300MM-V1



- Stainless steel sensing face
- Sensing range 8 mm
- 2-wire DC
- Weld field immune
- Weld slag resistant coating
- Ferrous targets



Dimensions



Technical Data

| General specifications | | |
|----------------------------|-------|--------------------|
| Switching function | | Normally open (NO) |
| Output type | | Two-wire |
| Rated operating distance | s_n | 8 mm |
| Installation | | flush |
| Output polarity | | DC |
| Assured operating distance | s_a | 0 ... 6.48 mm |

Release date: 2023-10-27 Date of issue: 2023-10-27 Filename: 905039_eng.pdf

Refer to "General Notes Relating to Pepperl+Fuchs Product Information".

Pepperl+Fuchs Group
www.pepperl-fuchs.com

USA: +1 330 486 0001
fa-info@us.pepperl-fuchs.com

Germany: +49 621 776 1111
fa-info@de.pepperl-fuchs.com

Singapore: +65 6779 9091
fa-info@sg.pepperl-fuchs.com

PF PEPPERL+FUCHS

Technical Data

| | | |
|---|-------|---|
| Actuating element | | Ferrous targets |
| Reduction factor r_{Al} | | 0 |
| Reduction factor r_{Cu} | | 0 |
| Reduction factor r_{304} | | 0.6 - 0.8 |
| Reduction factor r_{316L} | | 1 |
| Output type | | 2-wire |
| Nominal ratings | | |
| Operating voltage | U_B | 6 ... 30 V DC |
| Switching frequency | f | 0 ... 5 Hz |
| Hysteresis | H | 3 ... 15 typ. 5 % |
| Reverse polarity protection | | reverse polarity tolerant |
| Short-circuit protection | | no |
| Voltage drop | U_d | ≤ 5.5 V DC |
| Operating current | I_L | ≤ 200 mA |
| Off-state current | I_r | ≤ 0.8 mA |
| Switching state indicator | | LED, red |
| Mag. Field strength, AC fields | | 250 mT |
| Mag. Field strength, DC fields | | 250 mT |
| Compliance with standards and directives | | |
| Standard conformity | | |
| Standards | | EN 60947-5-2:2007 EN 60947-5-2/A1:2012 IEC 60947-5-2:2007 IEC 60947-5-2 AMD 1:2012 |
| Approvals and certificates | | |
| UL approval | | cULus Listed, General Purpose |
| CCC approval | | CCC approval / marking not required for products rated ≤ 36 V |
| Ambient conditions | | |
| Ambient temperature | | -25 ... 70 °C (-13 ... 158 °F) |
| Mechanical specifications | | |
| Connection type | | fixed cable with plug |
| Housing material | | Xylan coated - Stainless steel 1.4305 / AISI 303 |
| Sensing face | | Xylan coated - Stainless steel 1.4305 / AISI 303 |
| Degree of protection | | IP67 / according to cable specification |
| Connector | | |
| Threading | | M12 x 1 |
| Tightening torque | | 0.6 Nm |
| Number of pins | | 3 |
| Cable | | |
| Cable diameter | | 4.8 mm \pm 0.2 mm |
| Material | | POC |
| Color | | orange |
| Number of cores | | 4 |
| Core cross section | | 0.34 mm ² |
| Length | L | 300 mm |

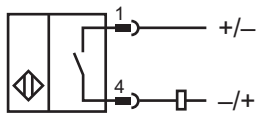
Release date: 2023-10-27 Date of issue: 2023-10-27 Filename: 905039_eng.pdf

Refer to "General Notes Relating to Pepperl+Fuchs Product Information".

Pepperl+Fuchs Group
www.pepperl-fuchs.comUSA: +1 330 486 0001
fa-info@us.pepperl-fuchs.comGermany: +49 621 776 1111
fa-info@de.pepperl-fuchs.comSingapore: +65 6779 9091
fa-info@sg.pepperl-fuchs.com

PEPPERL+FUCHS

Connection



Connection Assignment



Wire colors in accordance with EN 60947-5-2

| | | |
|---|----|---------|
| 1 | BN | (brown) |
| 2 | WH | (white) |
| 3 | BU | (blue) |
| 4 | BK | (black) |

Release date: 2023-10-27 Date of issue: 2023-10-27 Filename: 905039_eng.pdf