



Model Number

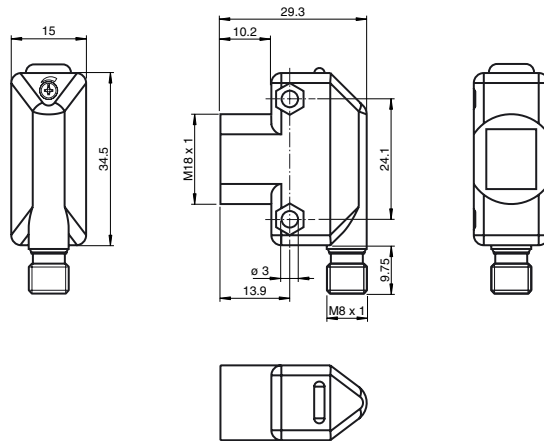
ML17-54/120/143

Retroreflective sensor
with 4-pin, M8 x 1 connector

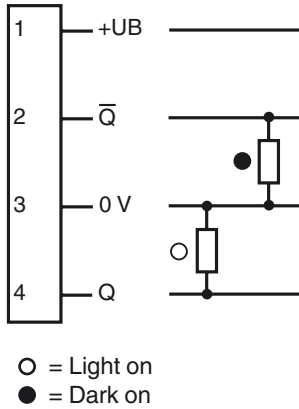
Features

- Compact series in universal housing for standard applications
- Miniature design
- Front mounting with M18-threads or side mounting holes
- 360° high visibility LEDs
- Time-saving mounting with quick clamp system
- Version with polarized filters detect shiny objects

Dimensions



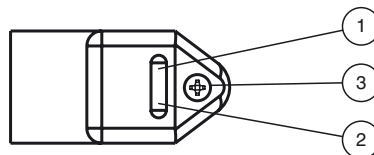
Electrical connection



Pinout



Indicators/operating means



1	Signal display	yellow
2	Operating display	green
3	Sensitivity adjustment	

Release date: 2012-06-04 10:00 Date of issue: 2012-06-04 908632_eng.xml

Subject to modifications without notice

Pepperl+Fuchs Group
www.pepperl-fuchs.com

USA: +1 330 486 0001
fa-info@us.pepperl-fuchs.com

Germany: +49 621 776-4411
fa-info@pepperl-fuchs.com

Copyright Pepperl+Fuchs
Singapore: +65 6779 9091
fa-info@sg.pepperl-fuchs.com

Technical data**General specifications**

Effective detection range	0 ... 3.5 m
Reflector distance	50 ... 3500 mm
Threshold detection range	5 m
Reference target	FE-RR1 reflector
Light source	LED
Light type	modulated visible red light , 626 nm
Ambient light limit	≤ 10000 Lux

Indicators/operating means

Operating display	LED green
Function display	LED yellow, lights up with receiver lit
Controls	sensitivity adjustment

Electrical specifications

Operating voltage	U_B	10 ... 30 V DC , class 2
Ripple		max. 10 %
No-load supply current	I_0	< 25 mA
Operating current		100 mA max per output
Time delay before availability	t_v	≤ 200 ms

Output

Switching type	light/dark on	
Signal output	2 PNP, short-circuit protected, reverse polarity protected	
Switching voltage	max. 30 V DC	
Switching current	max. 100 mA	
Voltage drop	U_d	≤ 2 V DC
Switching frequency	f	500 Hz
Response time		≤ 1 ms

Ambient conditions

Ambient temperature	-20 ... 70 °C (-4 ... 158 °F)
Storage temperature	-40 ... 75 °C (-40 ... 167 °F)

Mechanical specifications

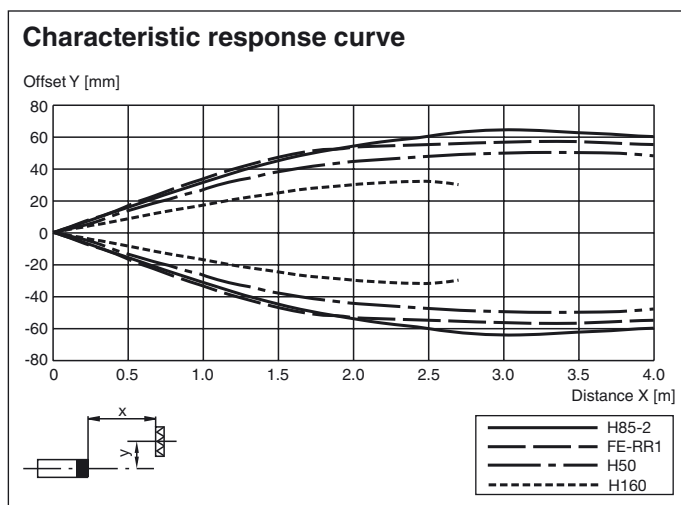
Protection degree	IP67
Connection	M8 x 1 connector, 4-pin
Material	
Housing	ABS
Optical face	Acrylic
Mass	approx. 8.5 g

Compliance with standards and directives

Standard conformity	
Product standard	EN 60947-5-2:2007 IEC 60947-5-2:2007

Approvals and certificates

UL approval	cULus
CCC approval	Products with a maximum operating voltage of ≤36 V do not bear a CCC marking because they do not require approval.

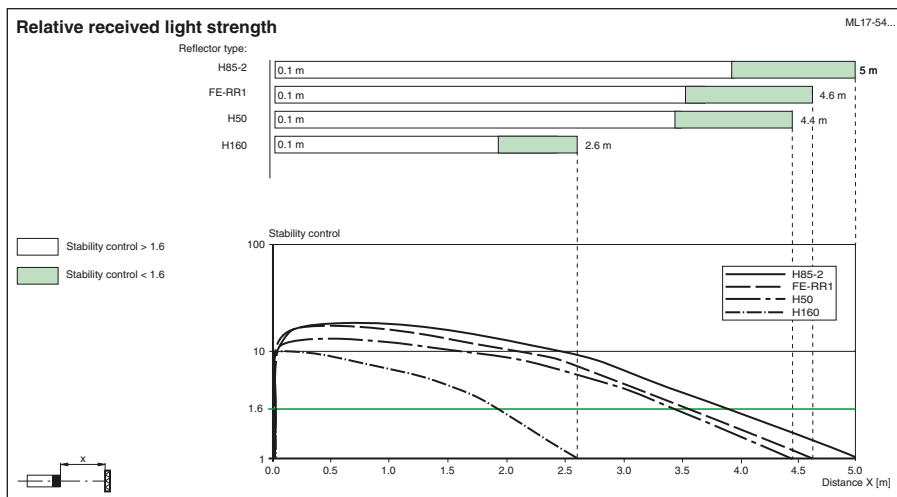
Curves/Diagrams**Accessories**

OMH-ML17-EZ
Mounting bracket

OMH-ML17
Mounting bracket

OMH-ML17-1
Mounting bracket

Other suitable accessories can be found at www.pepperl-fuchs.com



Release date: 2012-06-04 10:00 Date of issue: 2012-06-04 908632_eng.xml