



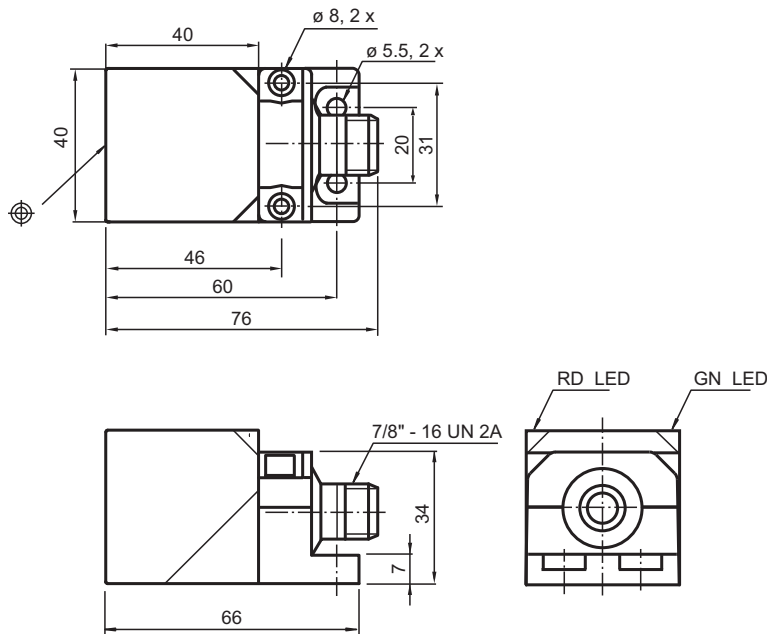
Inductive sensor

NBN40-L3M-UO-C3-V93

- Sensing range 20 mm
- Weld Immune
- 2-corner LED, metal base & mount
- 2-wire AC/DC



Dimensions



Technical Data

General specifications

Rated operating distance	s_n	40 mm
Installation		non-flush
Output polarity		AC/DC
Assured operating distance	s_a	0 ... 32.4 mm
Reduction factor r_{Al}		0.30 - 0.40
Reduction factor r_{304}		0.60 - 0.80
Output type		2-wire

Nominal ratings

Operating voltage	U_B	20 ... 250 V AC/DC
-------------------	-------	--------------------

Release date: 2020-12-10 Date of issue: 2020-12-10 Filename: 908755_eng.pdf

Refer to "General Notes Relating to Pepperl+Fuchs Product Information".

Pepperl+Fuchs Group
www.pepperl-fuchs.com

USA: +1 330 486 0001
fa-info@us.pepperl-fuchs.com

Germany: +49 621 776 1111
fa-info@de.pepperl-fuchs.com

Singapore: +65 6779 9091
fa-info@sg.pepperl-fuchs.com

PF PEPPERL+FUCHS

Technical Data

Switching frequency	f	2 Hz
Hysteresis	H	3 ... 15 typ. 10 %
Reverse polarity protection		reverse polarity protected
Short-circuit protection		pulsing
Voltage drop	U_d	≤ 7 V
Operating current	I_L	3 ... 300 mA
Off-state current	I_r	≤ 1.7 mA
No-load supply current	I_0	≤ 0.6 mA
Operating voltage indicator		LED, green
Switching state indicator		LED, red

Indicators/operating means

LED red/green	Short circuit/overload indication
---------------	-----------------------------------

Compliance with standards and directives

Standard conformity	
Standards	IEC 61000-4 / EN 60947-5-2:2004

Approvals and certificates

UL approval	cULus Listed, General Purpose
CSA approval	cCSAus Listed, General Purpose
CCC approval	Certified by China Compulsory Certification (CCC)

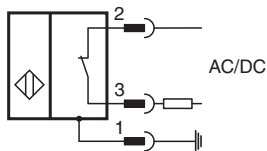
Ambient conditions

Ambient temperature	-25 ... 70 °C (-13 ... 158 °F)
Storage temperature	-40 ... 85 °C (-40 ... 185 °F)

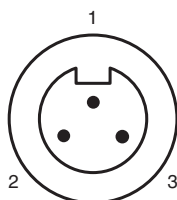
Mechanical specifications

Connection type	Connector plug 7/8 inch-16 UN , 3-pin
Housing material	Zinc, PTFE coated
Sensing face	Thermoset Plastic
Housing base	Zinc, PTFE coated
Degree of protection	IP67

Connection



Connection Assignment





Release date: 2020-12-10 Date of issue: 2020-12-10 Filename: 908755_eng.pdf

Wire colors

1	GN	(green)
2	BK	(black)
3	WH	(white)

Accessories

	MHW 01	Modular mounting bracket
	MH 02-L	Mounting aid

Release date: 2020-12-10 Date of issue: 2020-12-10 Filename: 908755_eng.pdf

Refer to "General Notes Relating to Pepperl+Fuchs Product Information".

Pepperl+Fuchs Group
www.pepperl-fuchs.com

USA: +1 330 486 0001
fa-info@us.pepperl-fuchs.com

Germany: +49 621 776 1111
fa-info@de.pepperl-fuchs.com

Singapore: +65 6779 9091
fa-info@sg.pepperl-fuchs.com