



Model Number

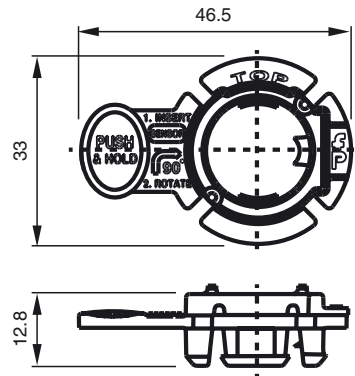
OMH-ML17-EZ

Mounting bracket

Features

- Mounting bracket
- Simple and fast mounting
- Mounts in 25.0 mm for series "R103", 25.4 mm for series "ML17" (+/- 0.127 mm) diameter hole
- No nuts, screws, or tools required
- For 10 or 12 gauge walls

Dimensions



Technical data

Mechanical specifications

Material ABS

Suitable series

Series ML17 , R103

Note**Instructions**

Insert the bracket into the punch-out hole.



Insert the sensor into the bracket as shown.



Holding the bracket by the tab, rotate the sensor 90° clockwise.



Installed sensor shown from reverse angle.

