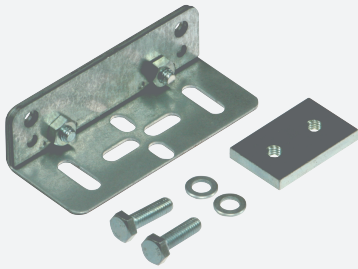


# WCS mounting bracket system

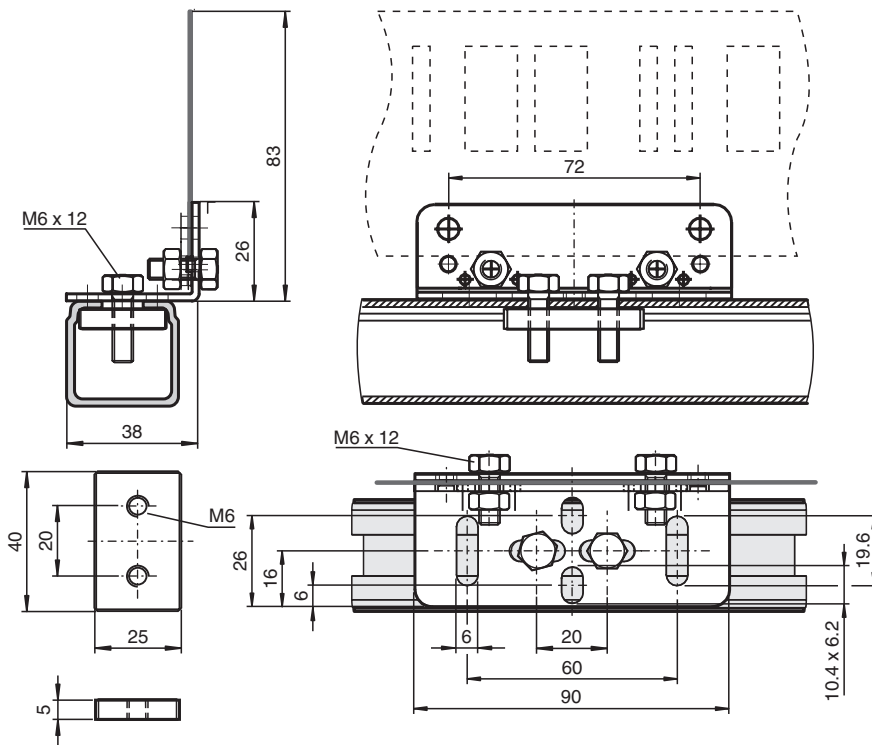
## WCS-MB2-UNI



- Mounting bracket for code rail, straight
- For mounting in UNISTRUT™ profile rails

Mounting bracket for UNISTRUT™ profile, straight section

### Dimensions



### Technical Data

#### Ambient conditions

Ambient temperature -40 ... 100 °C (-40 ... 212 °F)

#### Mechanical specifications

Material thickness	2 mm
Material	Metal sheet (steel), zinc-plated
Mass	125 g (without fastening screws)

Release date: 2024-04-22 Date of issue: 2024-04-25 Filename: 909270\_eng.pdf

Refer to "General Notes Relating to Pepperl+Fuchs Product Information".

Pepperl+Fuchs Group  
www.pepperl-fuchs.com

USA: +1 330 486 0001  
fa-info@us.pepperl-fuchs.com

Germany: +49 621 776 1111  
fa-info@de.pepperl-fuchs.com

Singapore: +65 6779 9091  
fa-info@sg.pepperl-fuchs.com

**pf** PEPPERL+FUCHS