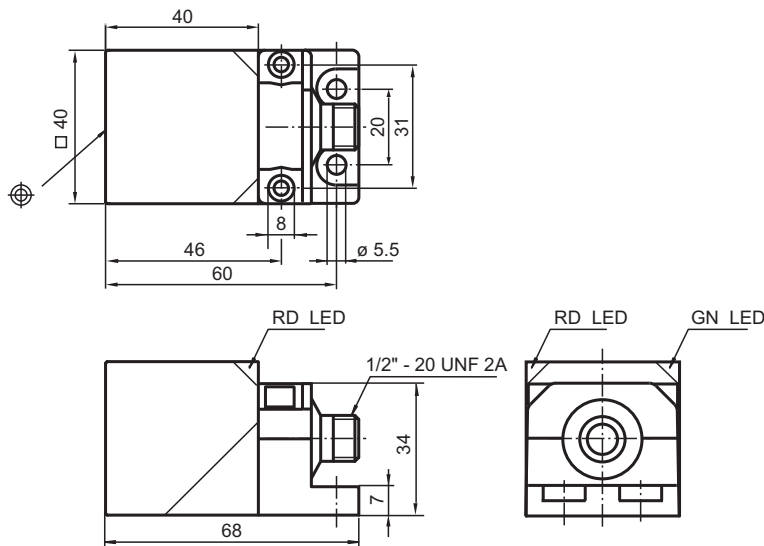


# Inductive sensor NBN40-L3M-US-V12

- 40 mm non-flush
- 2-corner LED, metal base & mount
- 2-wire AC/DC



## Dimensions



## Technical Data

### General specifications

Switching function		Normally open (NO)
Output type		Two-wire
Rated operating distance	$s_n$	40 mm
Installation		non-flush
Output polarity		AC/DC
Assured operating distance	$s_a$	0 ... 12.96 mm
Reduction factor $r_{AI}$		0.30 - 0.40
Reduction factor $r_{304}$		0.60 - 0.80
Output type		2-wire

Release date: 2020-12-10 Date of issue: 2020-12-10 Filename: 909763\_eng.pdf

Refer to "General Notes Relating to Pepperl+Fuchs Product Information".

Pepperl+Fuchs Group  
www.pepperl-fuchs.com

USA: +1 330 486 0001  
fa-info@us.pepperl-fuchs.com

Germany: +49 621 776 1111  
fa-info@de.pepperl-fuchs.com

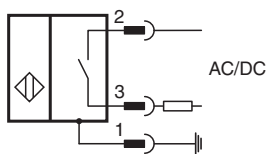
Singapore: +65 6779 9091  
fa-info@sg.pepperl-fuchs.com

**PF** PEPPERL+FUCHS

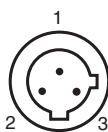
## Technical Data

Nominal ratings		
Switching frequency	f	30 Hz
Hysteresis	H	3 ... 15 typ. 10 %
Reverse polarity protection		reverse polarity protected
Short-circuit protection		pulsing
Voltage drop	$U_d$	$\leq 7$ V
Operating current	$I_L$	3 ... 300 mA
Off-state current	$I_r$	$\leq 1.7$ mA
No-load supply current	$I_0$	$\leq 0.6$ mA
Operating voltage indicator		LED, green
Switching state indicator		LED, red
Indicators/operating means		
LED red/green		Short circuit/overload indication (alternate flashing)
Electrical specifications		
Rated operating voltage	$U_e$	24 ... 250 V DC / 24 ... 230 V AC
Operating voltage	$U_B$	20 ... 300 V DC / 20 ... 253 V AC
Compliance with standards and directives		
Standard conformity		
Standards		IEC 61000-4 / EN 60947-5-2:2004
Approvals and certificates		
UL approval		cULus Listed, General Purpose
CSA approval		cCSAus Listed, General Purpose
CCC approval		Certified by China Compulsory Certification (CCC)
Ambient conditions		
Ambient temperature		-25 ... 70 °C (-13 ... 158 °F)
Storage temperature		-40 ... 85 °C (-40 ... 185 °F)
Mechanical specifications		
Connection type		Connector plug 1/2"-20 UN , 3-pin
Housing material		metal - Zinc housing
Sensing face		Thermoset Plastic
Housing base		Metal Bracket
Degree of protection		IP67

## Connection



## Connection Assignment





Release date: 2020-12-10 Date of issue: 2020-12-10 Filename: 909763\_eng.pdf

Wire colors

1	GN	(green)
2	RD/BK	(red/black)
3	RD/WH	(red/white)

## Accessories

	<p><b>V12-W-YE2M-PUR-H/S</b></p>	<p>Connecting cable, 1/2" - 20 UNF, 3-pin, irradiated PUR cable</p>
	<p><b>V12-G-YE2M-PVC</b></p>	<p>Connecting cable, 1/2" - 20 UNF, 3-pin, PVC cable</p>

Release date: 2020-12-10 Date of issue: 2020-12-10 Filename: 909763\_eng.pdf

Refer to "General Notes Relating to Pepperl+Fuchs Product Information".

Pepperl+Fuchs Group  
www.pepperl-fuchs.com

USA: +1 330 486 0001  
fa-info@us.pepperl-fuchs.com

Germany: +49 621 776 1111  
fa-info@de.pepperl-fuchs.com

Singapore: +65 6779 9091  
fa-info@sg.pepperl-fuchs.com