



Model Number

NEN40+U4+U

Features

- 40 mm non-flush
- 2-wire AC/DC
- 5-way quick pivot sensing head rotates for sense direction
- Surface mount

Technical Data

General specifications

Switching element function		AC/DC	NO/NC
Rated operating distance	s_n	40 mm	
Installation		non-flush	
Assured operating distance	s_a	0 ... 32.4 mm	
Reduction factor r_{AI}		0.4	
Reduction factor r_{304}		0.65	

Nominal ratings

Operating voltage DC		20 ... 300 V
Operating voltage AC		20 ... 250 V
Switching frequency	f	200 Hz VDC / 30 Hz VAC
Hysteresis	H	3 ... 15 typ. 5 %
Reverse polarity protection		reverse polarity protected
Short-circuit protection		pulsing
Voltage drop	U_d	≤ 8 V
Momentary current (20 ms, 0.1 Hz)		≤ 3000 mA
Operating current	I_L	3 ... 400 mA
Current consumption		< 1.7 mA
Off-state current	I_r	< 1.7 mA

Indicators/operating means

LED green	Power on
LED yellow	output
LED green/yellow	Short circuit/overload indication

Ambient conditions

Ambient temperature	-25 ... 70 °C (-13 ... 158 °F)
Storage temperature	-25 ... 85 °C (-13 ... 185 °F)

Mechanical specifications

Connection type	screw terminals
Core cross-section	up to 2.5 mm ²
Housing material	PBT/metal
Sensing face	PBT
Housing base	metal
Protection degree	IP68
Note	¹⁾ In the temperature range below 0 °C, permissible operating voltage U_b 80...253 V Safety fuse ≤ 2 A (quick-blow) according to IEC 60127-2 Sheet 1 Recommendation: after a short circuit, check that the device is functioning correctly.

General information

Supplementary information	Connection selectable as normally open or normally closed operation. Only wire one output per device.
---------------------------	--

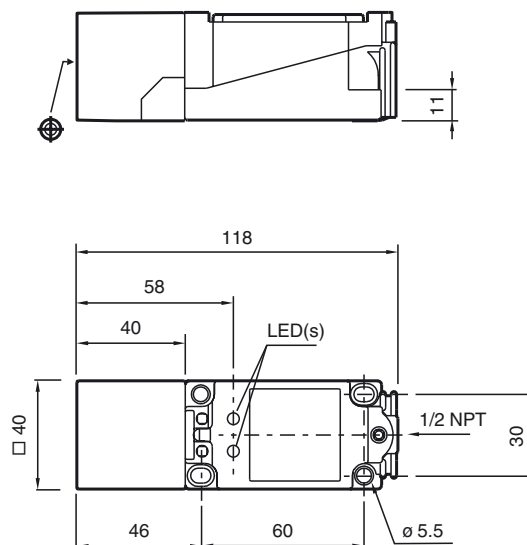
Compliance with standards and directives

Standard conformity	
Standards	EN 60947-5-2:2007 IEC 60947-5-2:2007

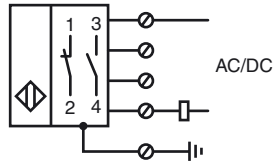
Approvals and certificates

UL approval	cULus Listed, General Purpose
CSA approval	cCSAus Listed, General Purpose

Dimensions



Electrical Connection



Release date: 2013-08-30 14:15 Date of issue: 2013-08-30 910577_eng.xml