



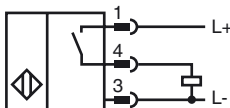
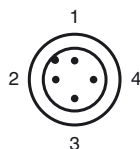
CE

Model Number

NMB8-SAE16GM27-E2-FE-V1

Features

- Stainless steel sensing face
- Sensing range 8 mm
- 5000 psi dynamic pressure rating
- 3-wire DC

Connection**Pinout**

Wire colors in accordance with EN 60947-5-2

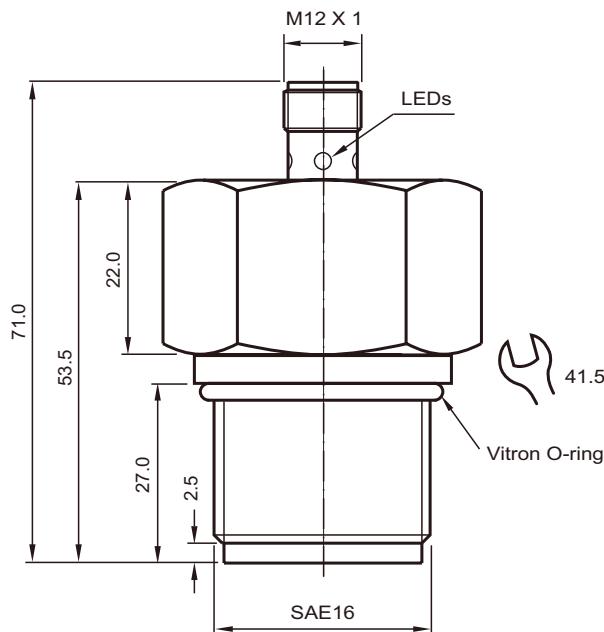
1	BN	(brown)
3	BU	(blue)
4	BK	(black)

Accessories**V1-W-2M-PUR**

Cable socket, M12, 4-pin, PUR cable

V1-G-2M-PUR

Cable socket, M12, 4-pin, PUR cable

Dimensions**Technical Data****General specifications**

Switching element function		PNP	NO
Rated operating distance	s_n	8 mm	
Installation		flush	
Output polarity		DC	
Assured operating distance	s_a	0 ... 6.48 mm	
Reduction factor r_{Al}		0	
Reduction factor r_{Cu}		0	
Reduction factor r_{304}		0.6 - 0.8	
Reduction factor r_{Si37}		1	
Reduction factor r_{Brass}		0	

Nominal ratings

Operating voltage	U_B	10 ... 30 V DC
Switching frequency	f	10 Hz max
Hysteresis	H	5 ... 15 10
Reverse polarity protection		yes
Short-circuit protection		yes
Voltage drop	U_d	≤ 2 V
Operating current	I_L	≤ 200 mA
Off-state current	I_r	≤ 10 μ A
No-load supply current	I_0	≤ 10 mA

Limit data

Operating pressure statically	10,000 psi
Operating pressure dynamically	5000 psi

Functional safety related parameters

MTTF _d	990 a
Mission Time (T_M)	20 a
Diagnostic Coverage (DC)	0 %

Indicators/operating means

Operating display	4-way dual LED Green: power Yellow: output
-------------------	--

Standard conformity

Standards	EN 60947-5-2:2007 IEC 60947-5-2:2007
-----------	---

Ambient conditions

Ambient temperature	-40 ... 85 °C (-40 ... 185 °F)
---------------------	--------------------------------

Mechanical specifications

Housing material	Stainless steel 1.4305 / AISI 303
Sensing face	Stainless steel 1.4305 / AISI 303
Protection degree	IP67 / IP68 / IP69K - cordset dependent according to cable specification
Note	O-ring: Dash 916, viton (1.171 in x 1.403 in (29.74 x 35.64 mm))

Approvals and certificates

CCC approval	Products with a maximum operating voltage of ≤ 36 V do not bear a CCC marking because they do not require approval.
--------------	--