



### Model Number

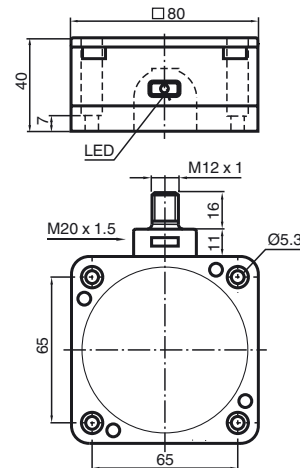
**IQT-FP-R4-V1-Y911204**

HF R/W system, ISO 15693

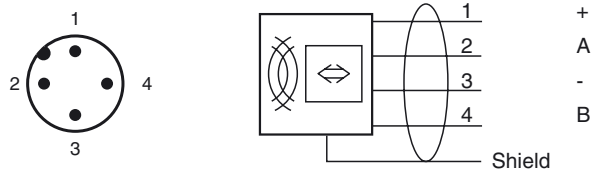
### Features

- Operating frequency 13.56 MHz
- Conforms to ISO 15693
- Dual-LED for function display
- Connection via V1 (M12 x 1) plug connection
- Degree of protection IP67

### Dimensions



### Electrical connection



### Technical data

#### General specifications

Operating frequency	13.56 MHz
Transfer rate	26 kBit/s
Sensing range	
Read distance	0 ... 130 mm
Write distance	0 ... 130 mm
Width	max. 100 mm
UL File Number	E87056

#### Indicators/operating means

LED green/yellow	green: Power on green flashing: read/write attempt performed yellow: data carrier detected
------------------	---

#### Electrical specifications

Rated operating voltage	$U_e$	20 ... 30 V DC, ripple 10 % <sub>SS</sub> , PELV
Power consumption	$P_0$	≤ 1.3 W
Supply		From clean power source with 5 W slow blow fuse

#### Interface

Physical	RS-485 point-to-point connection
Protocol	ASCII
Transfer rate	9600 Bit/s default, programmable 1200 Bit/s to 38400 Bit/s
Cable length	≤ 3 m

#### Ambient conditions

Ambient temperature	-25 ... 70 °C (-13 ... 158 °F)
Storage temperature	-40 ... 85 °C (-40 ... 185 °F)

#### Mechanical specifications

Degree of protection	IP67
Connection	M12 x 1 connector
Material	
Housing	PBT
Base	diecast aluminum
Encapsulation compound	CY 221/HY 2966
Installation	
Distance between two heads	≥ 150 mm
Mass	approx. 380 g

#### Compliance with standards and directives

Directive conformity	
R&TTE Directive 1995/5/EC	EN 301489-1 V1.8.1 (2008-04), EN 301489-3 V1.4.1 (2002-08), EN 300330-2 V1.3.1 (2006-04), EN 60950-1:2006
Standard conformity	

Electromagnetic compatibility	EN 61326
Degree of protection	EN 60529
RFID	ISO/IEC 15693-2:2006 , ISO/IEC 15693-3:2009 , ISO/IEC 18000-3

## Notes

### Configuration:

"20" is preset as the data carrier type (default setting).

The read/write protocol is preset to point-to-point mode.

Serial Timeout is 100 ms

Baud Rate preset to 9600 bit/s

### Power supply:

The device must only be operated with a current source of limited power according to EN 60950.

## Accessories

### IQC21-50P

Data carrier

### IQC21-58

Data carrier

### IQC22-C1

Data carrier

### IQC22-C4

Data carrier

### IQC22-C5

Data carrier

### IQC21-50F-T10

Data carrier

### IQC31-22-T9

Data carrier

### ICZ-R4-R2

RS 232C/RS 485 converter

### IQC24-27-T12

Data carrier

### IQC22-22CT-T9

Data carrier

### IQC22-C1 UNPRINTED

Data carrier

### IQC21-50PVC

Data carrier

### IQC21-F125

Data carrier