



Model Number

NMB15-30GM55-Z9-C-300MM-V1

Features

- 15 mm flush
- Stainless steel sensing face
- Increased operating distance
- Weld Immune

Accessories

V1-G-OR2M-POC

Female cordset, M12, 4-pin, TPE cable, welding-bead resistant

V1-G-2M-PUR

Female cordset, M12, 4-pin, PUR cable

V1-W-2M-PUR

Female cordset, M12, 4-pin, PUR cable

AB-30

Mounting aid

AB-30-L3M-C

Mounting aid

Technical Data

General specifications

Switching function	Normally open (NO)
Output type	Two-wire
Rated operating distance	s_n 15 mm
Installation	flush (Requirements: see drawing below)
Output polarity	DC
Assured operating distance	s_a 0 ... 12.15 mm
Actuating element	Ferrous and nonferrous targets
Reduction factor r_{Al}	0.4
Reduction factor r_{Cu}	0.2
Reduction factor r_{304}	0.85
Reduction factor r_{Si37}	1
Output type	2-wire

Nominal ratings

Operating voltage	U_B	6 ... 30 V
Switching frequency	f	5 Hz
Hysteresis	H	5 ... 15 typ. 10 %
Reverse polarity protection		reverse polarity-conductive
Short-circuit protection		yes
Voltage drop	U_d	< 3 V DC
Operating current	I_L	2 ... 100 mA
Off-state current	I_r	< 400 μ A
Mag. Field strength, AC fields		250 mT
Mag. Field strength, DC fields		250 mT

Indicators/operating means

Operation indicator	LED, red output
---------------------	-----------------

Ambient conditions

Ambient temperature	0 ... 70 °C (32 ... 158 °F)
---------------------	-----------------------------

Mechanical specifications

Connection type	Cable connector M12 x 1, 4-pin with TPE cable, 300 mm
Housing material	Xylan coated - Stainless steel 1.4305 / AISI 303
Sensing face	Xylan coated - Stainless steel 1.4305 / AISI 303
Degree of protection	IP67 / IP68 / IP69K - cordset dependent according to cable specification

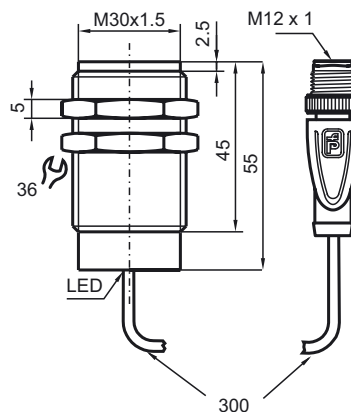
Compliance with standards and directives

Standard conformity	
Standards	EN 60947-5-2:2007 IEC 60947-5-2:2007

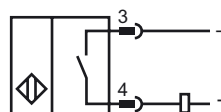
Approvals and certificates

UL approval	cULus Listed, General Purpose
CSA approval	cCSAus Listed, General Purpose
CCC approval	CCC approval / marking not required for products rated ≤ 36 V

Dimensions



Electrical Connection



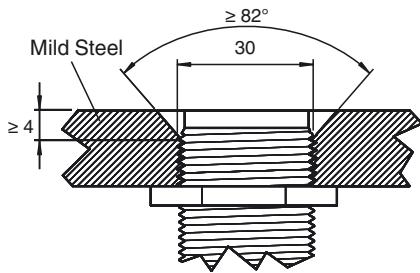
Release date: 2020-01-21 11:28 Date of issue: 2020-01-21 912724_eng.xml

Pinout



Wire colors in accordance with EN 60947-5-2

1	BN	(brown)
2	WH	(white)
3	BU	(blue)
4	BK	(black)



Sensor face is flush with mounting surface.